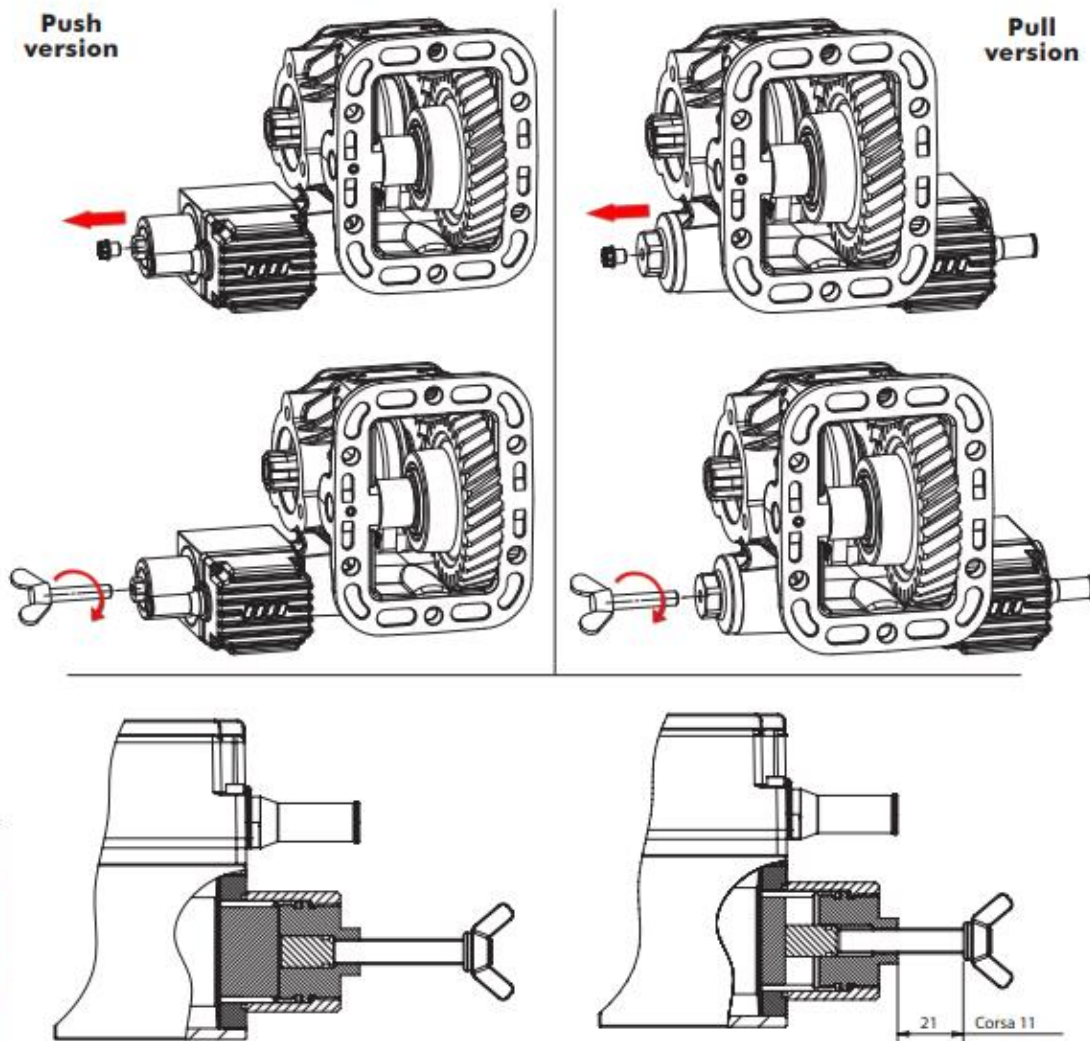


EMERGENCY OPERATION - In the event of an MAG-TRONIC malfunction, you can engage the PTO manually, as follows.

- 1- Switch off the vehicle's engine.
- 2- Make sure the PTO key is in the OFF position.
- 3- Insert the screw provided right down (if this screw is lost, use any M8 screw at least 40 mm long). If the screw gets stuck before reaching the end of its stroke, loosen it by one turn, turn on the vehicle's engine for a few seconds, then turn it off again and try again.
- 4- Press the clutch, turn on the vehicle and slowly release the clutch to make sure the PTO is engaged properly.
- 5- Complete the emergency operation.
- 6- Then remove the emergency screw and restore the original system.
- 7- Get the vehicle's servicing technician to check the system.

IMPORTANT NEVER MOVE THE VEHICLE WITH THE PTO ENGAGED
The PTO and gearing could be irreparably damaged.



ENGAGE PTO

- Press the clutch pedal and keep it down
- Press and release the engage button
- In 1,5 seconds the PTO is engaged (the effective engagement will be confirmed by the indicating light turning out)
- Release the clutch pedal
- Refer to User Manual in case lights different from the fixed on signaling engagement turn on

DISENGAGE PTO

- Press the clutch pedal and keep it down
- Press and release the engage button
- The PTO is disengaged (the effective disengagement will be confirmed by the indicating light turning off)
- Release the clutch pedal