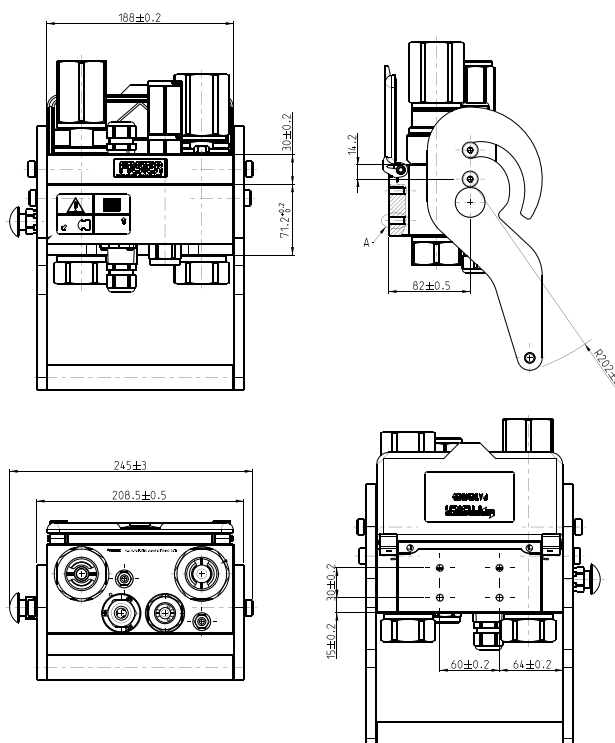




# MF P4A

MultiFaster 2 lines size 08, 2 lines size 16

## Applications



## Technical Specifications

| dash | Size |      | Working Pressure (MPa) | Flow Rate (l/min) | Spillage (ml) | Burst pressure (MPa) |        |               |
|------|------|------|------------------------|-------------------|---------------|----------------------|--------|---------------|
|      | mm   | inch |                        |                   |               | Male                 | Female | Male + Female |
| 08   | 12,5 | 1/2" | 25                     | 70                | 0,01          | 100                  | 100    | 100           |
| 16   | 25   | 1"   | 25                     | 150               | 0,03          | 100                  | 100    | 100           |

|                      |                            |
|----------------------|----------------------------|
| Material             | Aluminium; Steel           |
| Seals                | NBR; PUR                   |
| Working temperatures | - 25 °C to + 100 °C        |
| Surface treatment    | MATE 500 (CrIII);<br>Paint |

|                           |                     |
|---------------------------|---------------------|
| Valve Type                | Flat                |
| Connection                | Lever               |
| Disconnection             | Lever               |
| Connection Under Pressure | Allowed<br>Residual |



# P4A

| Size |      |      |         |                     | Thread Type |            |                  |                             |        | FIXED          |
|------|------|------|---------|---------------------|-------------|------------|------------------|-----------------------------|--------|----------------|
| dash | mm   | inch | Housing | Number of Couplings | Thread Type | Standard   | Thread           | Electrical Connector N Type |        | Part Number    |
| 08   | 12,5 | 1/2" | 4       | 2                   | F BSPP      | ISO 1179-1 | BSPP 1/2" FEMALE |                             |        | 3P4A-4-B F C   |
| 16   | 25   | 1"   |         | 2                   | F BSPP      | ISO 1179-1 | BSPP 1" FEMALE   |                             |        |                |
| 08   | 12,5 | 1/2" | 4       | 2                   | F BSPP      | ISO 1179-1 | BSPP 1/2" FEMALE |                             |        | 3P4A-1-3-A F C |
| 16   | 25   | 1"   |         | 1                   | F BSPP      | ISO 1179-1 | BSPP 1" FEMALE   |                             |        |                |
| 16   | 25   | 1"   |         | 1                   |             |            |                  | 1                           | 3 PINS |                |

| Size |      |      |         |                     | Thread Type |            |                  |                             |        | MOBILE         |
|------|------|------|---------|---------------------|-------------|------------|------------------|-----------------------------|--------|----------------|
| dash | mm   | inch | Housing | Number of Couplings | Thread Type | Standard   | Thread           | Electrical Connector N Type |        | Part Number    |
| 08   | 12,5 | 1/2" | 4       | 2                   | F BSPP      | ISO 1179-1 | BSPP 1/2" FEMALE |                             |        | 3P4A-4-B M C   |
| 16   | 25   | 1"   |         | 2                   | F BSPP      | ISO 1179-1 | BSPP 1" FEMALE   |                             |        |                |
| 08   | 12,5 | 1/2" | 4       | 2                   | F BSPP      | ISO 1179-1 | BSPP 1/2" FEMALE |                             |        | 3P4A-1-3-A M C |
| 16   | 25   | 1"   |         | 1                   | F BSPP      | ISO 1179-1 | BSPP 1" FEMALE   |                             |        |                |
| 16   | 25   | 1"   |         | 1                   |             |            |                  | 1                           | 3 PINS |                |

## Spare Parts & Accessories

| Female Half |         |            |             | Male Half |            |           |       |              |         |
|-------------|---------|------------|-------------|-----------|------------|-----------|-------|--------------|---------|
| Plates      | Lever   | Dust cover | Safety Lock | Plates    | Seals male | Screws    | Plugs | Guiding pins | Docking |
| KIT P4A F L | KIT LP4 | KIT TA P8  | KIT SP5 S   | KIT P4A M | SK MF 1    | KIT VP116 |       | KIT VGP4     |         |
|             |         |            |             |           | SK MF 12   |           |       |              |         |

