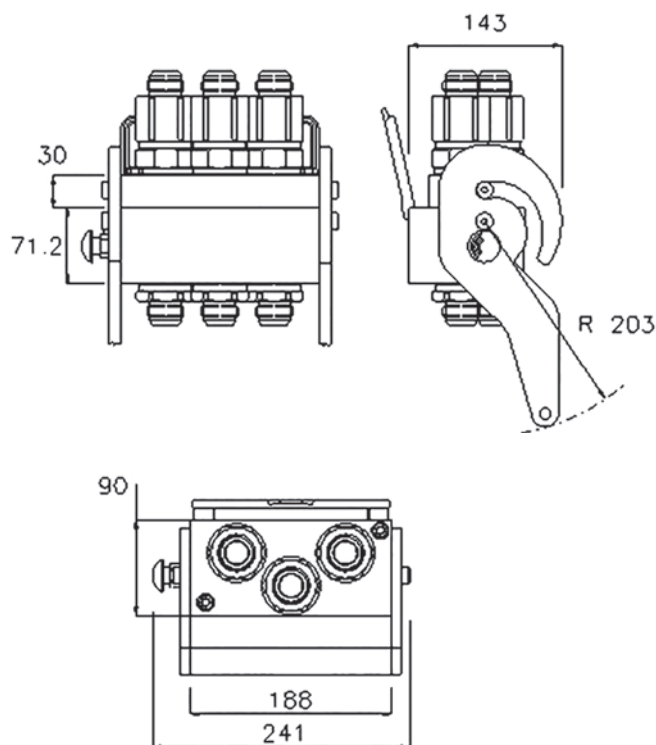




MF P316

MultiFaster 3 lines, size 16.

Applications



Technical Specifications

| dash | Size | | Working Pressure (MPa) | Flow Rate (l/min) | Spillage (ml) | Burst pressure (MPa) | | |
|------|------|------|------------------------|-------------------|---------------|----------------------|--------|---------------|
| | mm | inch | | | | Male | Female | Male + Female |
| 16 | 25 | 1" | 25 | 150 | 0.02 | 100 | 100 | 110 |

| | |
|----------------------|--------------------------------|
| Material | Aluminium; Steel |
| Seals | NBR; PUR |
| Working temperatures | - 25 °C to + 100 °C |
| Surface treatment | MATE 500 (CrIII); Paint |

| | |
|---------------------------|-------------------------|
| Valve Type | Flat |
| Connection | Lever |
| Disconnection | Lever |
| Connection Under Pressure | Allowed Residual |



P316

| Size | | | | | Thread Type | | | | | FIXED |
|------|----|------|---------|---------------------|-------------|-------------|--------------------------|------------------------|----------------|----------------|
| dash | mm | inch | Housing | Number of Couplings | Thread Type | Standard | Thread | Electrical Connector N | Connector Type | Part Number |
| 16 | 25 | 1" | 3 | 3 | O/ SAE | ISO 11926-1 | 1-5/16"-12 UN FEMALE ORB | | | 2P316-3-1S F C |
| 16 | 25 | 1" | 3 | 3 | F BSPP | ISO 1179-1 | BSPP 1" FEMALE | | | 2P316-3-1G F C |
| 16 | 25 | 1" | 3 | 2 | O/ SAE | ISO 11926-1 | 1-5/16"-12 UN FEMALE ORB | | | 2P316-2-1S F C |
| 16 | 25 | 1" | 3 | 2 | F BSPP | ISO 1179-1 | BSPP 1" FEMALE | | | 2P316-2-1G F C |

| Size | | | | | Thread Type | | | | | MOBILE |
|------|----|------|---------|---------------------|-------------|-------------|--------------------------|------------------------|----------------|----------------|
| dash | mm | inch | Housing | Number of Couplings | Thread Type | Standard | Thread | Electrical Connector N | Connector Type | Part Number |
| 16 | 25 | 1" | 3 | 3 | O/ SAE | ISO 11926-1 | 1-5/16"-12 UN FEMALE ORB | | | 3P316-3-1S M C |
| 16 | 25 | 1" | 3 | 3 | F BSPP | ISO 1179-1 | BSPP 1" FEMALE | | | 3P316-3-1G M C |
| 16 | 25 | 1" | 3 | 2 | O/ SAE | ISO 11926-1 | 1-5/16"-12 UN FEMALE ORB | | | 3P316-2-1S M C |
| 16 | 25 | 1" | 3 | 2 | F BSPP | ISO 1179-1 | BSPP 1" FEMALE | | | 3P316-2-1G M C |

Spare Parts & Accessories

| Female Half | | | | Male Half | | | | | |
|-------------|-------|------------|-------------|-----------|------------|-----------|-------|--------------|---------|
| Plates | Lever | Dust cover | Safety Lock | Plates | Seals male | Screws | Plugs | Guiding pins | Docking |
| KIT P4A F L | | KIT TA P10 | KIT SP5 S | | SK MF 1 | KIT VP116 | | | |

