



# FFH

## Flat face couplings, ISO 16028 interchange, 35 MPa series.

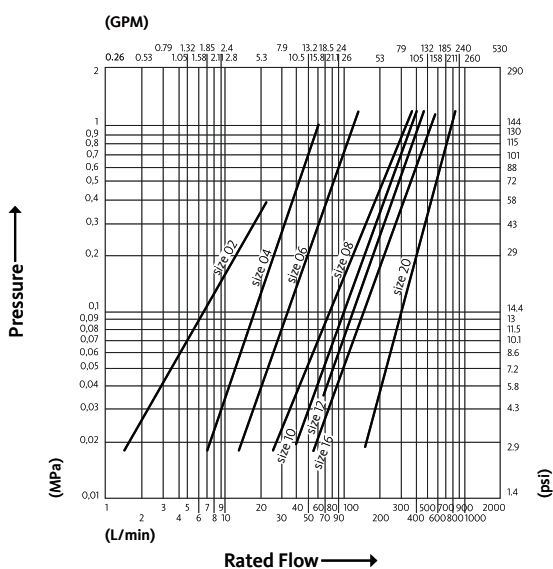
Flat face couplings with real maximum working pressure of 35 MPa and Zinc-Nickel plating. Flat valve shut-off system contributes to prevent contamination and spillage. ISO 16028 interchange.



## Applications



## Pressure Drop



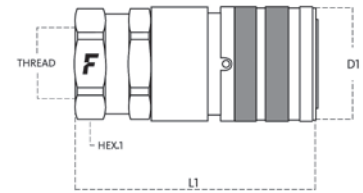
Test performed according to ISO 18869

## Technical Specifications

dash	Size mm	inch	Working Pressure (MPa)	Flow Rate (l/min)	Spillage (ml)	Force to Connect (N)	Burst pressure (MPa)		
							Male	Female	Male + Female
02*	3.2*	1/8"*	35	12	0.001	105	170	140	180
04	6.3	1/4"	35	25	0.006	110	170	140	180
06	10	3/8"	35	50	0.008	150	170	140	170
08	12.5	1/2"	35	110	0.01	210	140	140	170
10	16	5/8"	35	125	0.02	205	140	140	140
12	20	3/4"	35	160	0.02	215	140	140	140
16	25	1"	35	230	0.03	280	140	140	170
20	31.5	1-1/4"	35	390	0.03	350	105	105	140

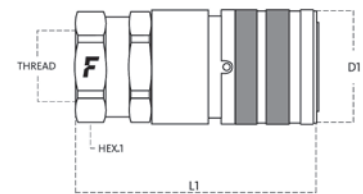
\* FFH02 has surface treatment in MATE 500 (CRIII) and is not interchangeable according to ISO 16028.

Material	<b>Steel</b>	Valve Type	<b>Flat</b>
Seals	<b>NBR; PUR</b>	Connection	<b>Push to Connect</b>
Working temperatures	<b>- 25 °C to + 100 °C</b>	Disconnection	<b>Sleeve Retraction</b>
Surface treatment	<b>MATE 1000 (Zn-Ni)</b>	Connection Under Pressure	<b>Not Allowed</b>
Series Interchange	<b>ISO 16028*</b>		



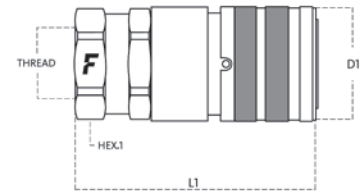
**FFH**

Size		Thread details			FEMALE							
mm	inch	Thread Type	Standard	Thread	Part Number	L (L1 + Thread)		D1		HEX1		
						mm	inch	mm	inch	mm	inch	
3.2	1/8"	13/ SAE	ISO 8434-2	7/16"-20 UNF MALE JIC	FFH02-13/14S F	60.1	2.37	20	0.79	18	0.71	
3.2	1/8"	F BSPP	ISO 1179-1	BSPP 1/8" FEMALE	FFH02 18GAS F	46.1	1.81	20	0.79	18	0.71	
3.2	1/8"	F BSPP	ISO 1179-1	BSPP 1/4" FEMALE	FFH02 14GAS F	51.3	2.02	20	0.79	18	0.71	
6.3	1/4"	0/ SAE	ISO 11926-1	7/16"-20 UNF FEMALE ORB	FFH04 14SAE F	59	2.32	27	1.06	24	0.94	
6.3	1/4"	F JPT	UNI EN 10226-2	RC 1/4 FEMALE (JPT)	FFH04 14JPT F	58.9	2.32	27	1.06	24	0.94	
6.3	1/4"	07/ METRIC	ISO 8434-1-L	M16x1.5 MALE BULKHEAD SHORT 10L	FFH04-7/1615 F	82.4	3.24	27	1.06	24	0.94	
6.3	1/4"	06/ METRIC	ISO 8434-1-S	M16x1.5 MALE BULKHEAD 8S	FFH04-6/1615 F	75.5	2.97	27	1.06	24	0.94	
6.3	1/4"	05/ METRIC	ISO 8434-1-L	M16x1.5 MALE BULKHEAD 10L	FFH04-5/1615 F	92.4	3.64	27	1.06	24	0.94	
6.3	1/4"	03/ METRIC	ISO 8434-1-S	M16x1.5 MALE 8S	FFH04-3/1615 F	69.4	2.73	27	1.06	24	0.94	
6.3	1/4"	02/ METRIC	ISO 8434-1-L	M16x1.5 MALE 10L	FFH04-2/1615 F	68.4	2.69	27	1.06	24	0.94	
6.3	1/4"	02/ METRIC	ISO 8434-1-L	M14x1.5 MALE 8L	FFH04-2/1415 F	67.4	2.65	27	1.06	24	0.94	
6.3	1/4"	14/ SAE	ISO 8434-2	9/16"-18 UNF MALE BULKHEAD JIC	FFH04-14/38S F	89.9	3.54	27	1.06	24	0.94	
6.3	1/4"	13/ SAE	ISO 8434-2	9/16"-18 UNF MALE JIC	FFH04-13/38S F	71.5	2.81	27	1.06	24	0.94	
6.3	1/4"	12/ SAE	ISO 8434-3	11/16"-16 UN MALE BULKHEAD ORFS	FFH04-12/38S F	91.4	3.6	27	1.06	24	0.94	
6.3	1/4"	0/ METRIC	ISO 6149-1	M16x1.5 FEMALE ORB	FFH04-0/1615 F	61.1	2.41	27	1.06	24	0.94	
6.3	1/4"	0/ SAE	ISO 11926-1	9/16"-18 UNF FEMALE ORB	FFH04 38SAE F	59.6	2.35	27	1.06	24	0.94	
6.3	1/4"	F NPTF	ANSI B1.20.3	NPTF 1/4" FEMALE	FFH04 14NPT F	58.9	2.32	27	1.06	24	0.94	
6.3	1/4"	F BSPP	ISO 1179-1	BSPP 1/4" FEMALE	FFH04 14GAS F	58.9	2.32	27	1.06	24	0.94	
10	3/8"	F JPT	UNI EN 10226-2	RC 3/8 FEMALE (JPT)	FFH06 38JPT F	74.9	2.95	30	1.18	27	1.06	
10	3/8"	F BSPP	ISO 1179-1	BSPP 3/8" FEMALE	FFH06 38GAS FB	75	2.95	30	1.18	27	1.06	
10	3/8"	F JPT	UNI EN 10226-2	RC 1/2 FEMALE (JPT)	FFH06 12JPT F	78.4	3.09	30	1.18	27	1.06	
10	3/8"	07/ METRIC	ISO 8434-1-L	M22x1.5 MALE BULKHEAD SHORT 15L	FFH06-7/2215 F	97.9	3.85	30	1.18	27	1.06	
10	3/8"	07/ METRIC	ISO 8434-1-L	M18x1.5 MALE BULKHEAD SHORT 12L	FFH06-7/1815 F	95.9	3.78	30	1.18	27	1.06	
10	3/8"	07/ METRIC	ISO 8434-1-L	M16x1.5 MALE BULKHEAD SHORT 10L	FFH06-7/1615 F	94.9	3.74	30	1.18	27	1.06	
10	3/8"	06/ METRIC	ISO 8434-1-S	M20x1.5 MALE BULKHEAD 12S	FFH06-6/2015 F	107.9	4.25	30	1.18	27	1.06	
10	3/8"	05/ METRIC	ISO 8434-1-L	M22x1.5 MALE BULKHEAD 15L	FFH06-5/2215 F	107.9	4.25	30	1.18	27	1.06	
10	3/8"	05/ METRIC	ISO 8434-1-L	M18x1.5 MALE BULKHEAD 12L	FFH06-5/1815 F	105.9	4.17	30	1.18	27	1.06	
10	3/8"	03/ METRIC	ISO 8434-1-S	M20x1.5 MALE 12S	FFH06-3/2015 F	80.9	3.19	30	1.18	27	1.06	
10	3/8"	02/ METRIC	ISO 8434-1-L	M18x1.5 MALE 12L	FFH06-2/1815 F	80.9	3.19	30	1.18	27	1.06	
10	3/8"	02/ METRIC	ISO 8434-1-L	M16x1.5 MALE 10L	FFH06-2/1615 F	80.9	3.19	30	1.18	27	1.06	
10	3/8"	02/ METRIC	ISO 8434-1-L	M14x1.5 MALE 8L	FFH06-2/1415 F	79.9	3.15	30	1.18	27	1.06	
10	3/8"	14/ SAE	ISO 8434-2	3/4"-16 UN MALE BULKHEAD JIC	FFH06-14/12S F	106.5	4.19	30	1.18	27	1.06	
10	3/8"	12/ SAE	ISO 8434-3	13/16"-16 UN MALE BULKHEAD ORFS	FFH06-12/12S F	106	4.17	30	1.18	27	1.06	
10	3/8"	01/ SAE	ISO 11926-3	9/16"-18 UNF MALE	FFH06-1/38S F	79.9	3.15	30	1.18	27	1.06	
10	3/8"	01/ SAE	ISO 11926-3	3/4"-16 UNF MALE	FFH06-1/12S F	80.7	3.18	30	1.18	27	1.06	
10	3/8"	F BSPP	ISO 1179-1	BSPP 3/8" FEMALE	FFH06 38GAS FV	97.9	3.85	30	1.18	27	1.06	
10	3/8"	0/ SAE	ISO 11926-1	3/4"-16 UNF FEMALE ORB	FFH06 12SAE F	76.9	3.03	30	1.18	27	1.06	
10	3/8"	F NPTF	ANSI B1.20.3	NPTF 1/2" FEMALE	FFH06 12NPT F	79.4	3.13	30	1.18	27	1.06	
10	3/8"	F NPTF	ANSI B1.20.3	NPTF 3/8" FEMALE	FFH06 38NPT F	75	2.95	30	1.18	27	1.06	
10	3/8"	02/ METRIC	ISO 8434-1-L	M22x1.5 MALE 15L	FFH06-2/2215 F	81.9	3.22	30	1.18	27	1.06	
10	3/8"	F BSPP	ISO 1179-1	BSPP 3/8" FEMALE	FFH06 38GAS F	75	2.95	30	1.18	27	1.06	
10	3/8"	F BSPP	ISO 1179-1	BSPP 1/2" FEMALE	FFH06 12GAS F	79.4	3.13	30	1.18	27	1.06	
12.5	1/2"	02/ METRIC	ISO 8434-1-L	M26x1.5 MALE 18L	FFH08-2/2615 F	83.3	3.28	38	1.5	34	1.34	
12.5	1/2"	F JPT	UNI EN 10226-2	RC 1/2 FEMALE (JPT)	FFH08 12JPT F	81.3	3.2	38	1.5	34	1.34	
12.5	1/2"	07/ METRIC	ISO 8434-1-L	M22x1.5 MALE BULKHEAD SHORT 15L	FFH08-7/2215 F	99.3	3.91	38	1.5	34	1.34	
12.5	1/2"	05/ METRIC	ISO 8434-1-L	M18x1.5 MALE BULKHEAD 12L	FFH08-5/1815 F	107.3	4.22	38	1.5	34	1.34	



FFH

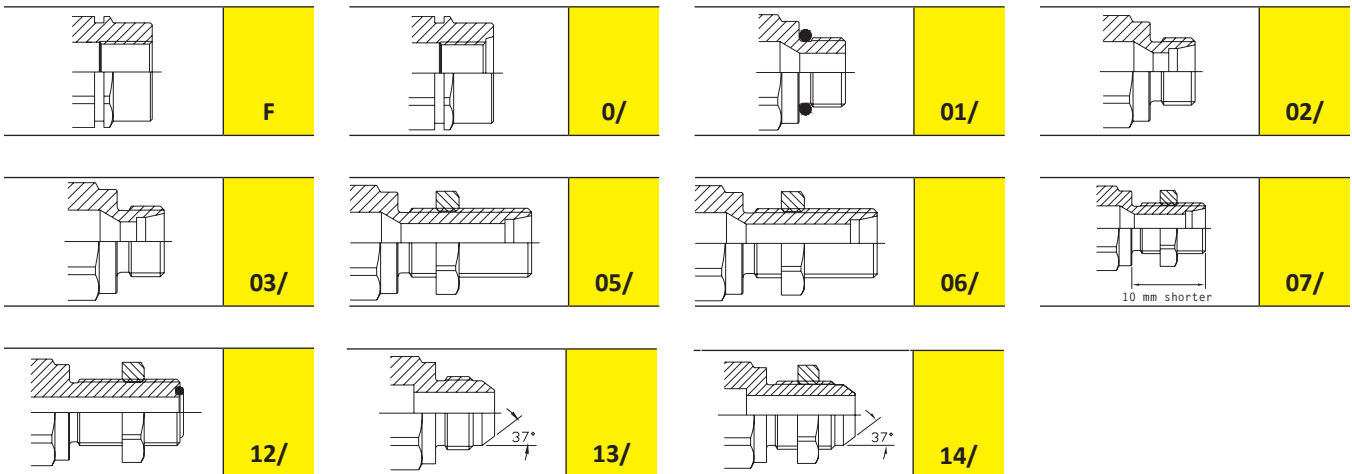
Size		Thread details			FEMALE							
mm	inch	Thread Type	Standard	Thread	Part Number	L (L1 + Thread)		D1		HEX1		
						mm	inch	mm	inch	mm	inch	
12.5	1/2"	02/ METRIC	ISO 8434-1-L	M22x1.5 MALE 15L	FFH08-2/2215 F	83.3	3.28	38	1.5	34	1.34	
12.5	1/2"	02/ METRIC	ISO 8434-1-L	M18x1.5 MALE 12L	FFH08-2/1815 F	82.3	3.24	38	1.5	34	1.34	
12.5	1/2"	14/ SAE	ISO 8434-2	7/8"-14 UNF MALE BULKHEAD JIC	FFH08-14/58S F	111.4	4.39	38	1.5	34	1.34	
12.5	1/2"	14/ SAE	ISO 8434-2	1-1/16"-12 UN MALE BULKHEAD JIC	FFH08-14/34S F	115.7	4.56	38	1.5	34	1.34	
12.5	1/2"	14/ SAE	ISO 8434-2	3/4"-16 UN MALE BULKHEAD JIC	FFH08-14/12S F	107.9	4.25	38	1.5	34	1.34	
12.5	1/2"	13/ SAE	ISO 8434-2	7/8"-14 UNF MALE JIC	FFH08-13/58S F	90.6	3.57	38	1.5	34	1.34	
12.5	1/2"	12/ SAE	ISO 8434-3	1"-14 UNS MALE BULKHEAD ORFS	FFH08-12/58S F	111.8	4.4	38	1.5	34	1.34	
12.5	1/2"	12/ SAE	ISO 8434-3	1-3/16"-12 UN MALE BULKHEAD ORFS	FFH08-12/34S F	112.8	4.44	38	1.5	36	1.42	
12.5	1/2"	12/ SAE	ISO 8434-3	13/16"-16 UN MALE BULKHEAD ORFS	FFH08-12/12S F	107.8	4.24	38	1.5	34	1.34	
12.5	1/2"	01/ SAE	ISO 11926-3	3/4"-16 UNF MALE	FFH08-1/12S F	82.4	3.24	38	1.5	34	1.34	
12.5	1/2"	F NPTF	ANSI B1.20.3	NPTF 3/4" FEMALE	FFH08 34NPT F	81.3	3.2	38	1.5	34	1.34	
12.5	1/2"	0/ SAE	ISO 11926-1	3/4"-16 UNF FEMALE ORB	FFH08 12SAE F	81.3	3.2	38	1.5	34	1.34	
12.5	1/2"	F BSPP	ISO 1179-1	BSPP 1/2" FEMALE	FFH08 12GAS FV	81.3	3.2	38	1.5	34	1.34	
12.5	1/2"	0/ SAE	ISO 11926-1	7/8"-14 UNF FEMALE ORB	FFH08 58SAE F	81.3	3.2	38	1.5	34	1.34	
12.5	1/2"	0/ SAE	ISO 11926-1	1-1/16"-12 UN FEMALE ORB	FFH08 34SAE F	86.8	3.42	38	1.5	34	1.34	
12.5	1/2"	F NPTF	ANSI B1.20.3	NPTF 1/2" FEMALE	FFH08 12NPT F	81.3	3.2	38	1.5	34	1.34	
12.5	1/2"	F BSPP	ISO 1179-1	BSPP 3/4" FEMALE	FFH08 34GAS F	84.8	3.34	38	1.5	34	1.34	
12.5	1/2"	F BSPP	ISO 1179-1	BSPP 1/2" FEMALE	FFH08 12GAS F	81.3	3.2	38	1.5	34	1.34	
16	5/8"	06/ METRIC	ISO 8434-1-S	M24x1.5 MALE BULKHEAD 16S	FFH10-6/2415 F	120.3	4.74	42	1.65	38	1.5	
16	5/8"	05/ METRIC	ISO 8434-1-L	M26x1.5 MALE BULKHEAD 18L	FFH10-5/2615 F	120.3	4.74	42	1.65	38	1.5	
16	5/8"	03/ METRIC	ISO 8434-1-S	M24x1.5 MALE 16S	FFH10-3/2415 F	94.3	3.71	42	1.65	38	1.5	
16	5/8"	02/ METRIC	ISO 8434-1-L	M26x1.5 MALE 18L	FFH10-2/2615 F	92.3	3.63	42	1.65	38	1.5	
16	5/8"	01/ SAE	ISO 11926-3	7/8"-14 UNF MALE	FFH10-1/58S F	93	3.66	42	1.65	38	1.5	
16	5/8"	01/ SAE	ISO 11926-3	1-1/16"-12 UN MALE	FFH10-1/34S F	95.4	3.76	42	1.65	38	1.5	
16	5/8"	F BSPP	ISO 1179-1	BSPP 5/8" FEMALE	FFH10 58GAS F	91.1	3.59	42	1.65	38	1.5	
16	5/8"	0/ SAE	ISO 11926-1	1-1/16"-12 UN FEMALE ORB	FFH10 34SAE F	95.1	3.74	42	1.65	38	1.5	
16	5/8"	F NPTF	ANSI B1.20.3	NPTF 3/4" FEMALE	FFH10 34NPT F	92.1	3.63	42	1.65	38	1.5	
16	5/8"	F BSPP	ISO 1179-1	BSPP 3/4" FEMALE	FFH10 34GAS F	92.1	3.63	42	1.65	38	1.5	
20	3/4"	F JPT	UNI EN 10226-2	RC 3/4 FEMALE (JPT)	FFH12 34JPT F	100.3	3.95	48	1.89	42	1.65	
20	3/4"	06/ METRIC	ISO 8434-1-S	M36x2 MALE BULKHEAD 25S	FFH12-6/3620 F	138.9	5.47	48	1.89	42	1.65	
20	3/4"	06/ METRIC	ISO 8434-1-S	M30x2 MALE BULKHEAD 20S	FFH12-6/3020 F	136.1	5.36	48	1.89	42	1.65	
20	3/4"	14/ SAE	ISO 8434-2	1-1/16"-12 UN MALE BULKHEAD JIC	FFH12-14/34S F	136.3	5.37	48	1.89	42	1.65	
20	3/4"	12/ SAE	ISO 8434-3	1-3/16"-12 UN MALE BULKHEAD ORFS	FFH12-12/34S F	133.4	5.25	48	1.89	42	1.65	
20	3/4"	12/ SAE	ISO 8434-3	1-7/16"-12 UN MALE BULKHEAD ORFS	FFH12-12/1S F	133.9	5.27	48	1.89	42	1.65	
20	3/4"	01/ SAE	ISO 11926-3	1-1/16"-12 UN MALE	FFH12-1/34S F	107.6	4.24	48	1.89	42	1.65	
20	3/4"	01/ METRIC	ISO 6149-2	M27x2 MALE	FFH12-1/2720 F	113.1	4.45	48	1.89	42	1.65	
20	3/4"	0/ METRIC	ISO 6149-1	M33x2 FEMALE ORB	FFH12-0/3320 F	102.6	4.04	48	1.89	42	1.65	
20	3/4"	0/ SAE	ISO 11926-1	1-1/16"-12 UN FEMALE ORB	FFH12 34SAE F	104.3	4.11	48	1.89	42	1.65	
20	3/4"	F NPTF	ANSI B1.20.3	NPTF 3/4" FEMALE	FFH12 34NPT F	100.3	3.95	48	1.89	42	1.65	
20	3/4"	0/ SAE	ISO 11926-1	1-5/16"-12 UN FEMALE ORB	FFH12 1SAE F	104.3	4.11	48	1.89	42	1.65	
20	3/4"	F NPTF	ANSI B1.20.3	NPTF 1" FEMALE	FFH12 1NPT F	104.3	4.11	48	1.89	42	1.65	
20	3/4"	F BSPP	ISO 1179-1	BSPP 1" FEMALE	FFH12 1GAS F	104.3	4.11	48	1.89	42	1.65	
20	3/4"	F BSPP	ISO 1179-1	BSPP 3/4" FEMALE	FFH12 34GAS F	100.3	3.95	48	1.89	42	1.65	
25	1"	06/ METRIC	ISO 8434-1-S	M36x2 MALE BULKHEAD 25S	FFH16-6/3620 F	141	5.55	55	2.17	50	1.97	
25	1"	03/ METRIC	ISO 8434-1-S	M36x2 MALE 25S	FFH16-3/3620 F	112	4.41	55	2.17	50	1.97	
25	1"	01/ METRIC	ISO 6149-2	M30x2 MALE	FFH16-1/3020 F	121.5	4.78	55	2.17	50	1.97	

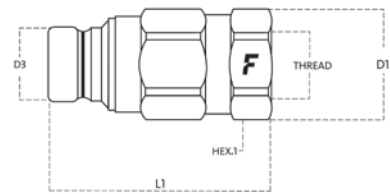


# FFH

Size		Thread details			FEMALE							
mm	inch	Thread Type	Standard	Thread	Part Number	L (L1 + Thread)		D1		HEX1		
						mm	inch	mm	inch	mm	inch	
25	1"	O/ METRIC	ISO 6149-1	M33x2 FEMALE ORB	FFH16-0/3320 F	103	4.06	55	2.17	50	1.97	
25	1"	O/ SAE	ISO 11926-1	1-5/16"-12 UN FEMALE ORB	FFH16 1SAE F	100.5	3.96	55	2.17	50	1.97	
25	1"	F NPTF	ANSI B1.20.3	NPTF 1" FEMALE	FFH16 1NPT F	100.5	3.96	55	2.17	50	1.97	
25	1"	F NPTF	ANSI B1.20.3	NPTF 1-1/4" FEMALE	FFH16 114NPT F	100.5	3.96	55	2.17	50	1.97	
25	1"	F BSPP	ISO 1179-1	BSPP 1-1/2" FEMALE	FFH16 112GAS F	105.3	4.15	55	2.17	55	2.17	
25	1"	F BSPP	ISO 1179-1	BSPP 1-1/4" FEMALE	FFH16 114GAS F	103	4.06	55	2.17	50	1.97	
25	1"	F BSPP	ISO 1179-1	BSPP 1" FEMALE	FFH16 1GAS F	100.5	3.96	55	2.17	50	1.97	
31.5	1-1/4"	F BSPP	ISO 1179-1	BSPP 1-1/4" FEMALE	FFH20 114GAS F	103.4	4.07	63	2.48	60	2.36	

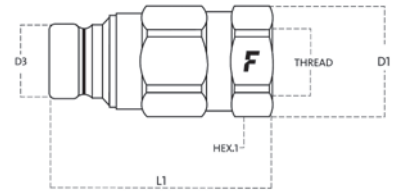
Part number ending in V have seals in FKM and consequently a Working Temperature of -20°C + 200 °C.





FFH

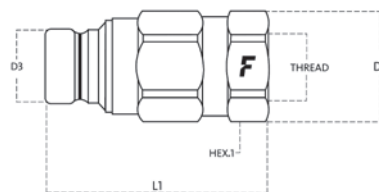
Size		Thread details			MALE									
mm	inch	Thread Type	Standard	Thread	Part Number	L (L1 + Thread)		D1		D3		HEX1		
						mm	inch	mm	inch	mm	inch	mm	inch	
3.2	1/8"	01/ BSPP	ISO 1179-3	1/4" BSPP MALE	FFH02-21/14G M	51	2.01	21	0.83	11.6	0.46	19	0.75	
3.2	1/8"	01/ SAE	ISO 11926-3	9/16"-18 UNF MALE	FFH02-1/38S M	54	2.13	19	0.75	11.6	0.46	17	0.67	
3.2	1/8"	F BSPP	ISO 1179-1	BSPP 1/8" FEMALE	FFH02 18GAS M	44	1.73	18	0.71	11.6	0.46	16	0.63	
6.3	1/4"	27/ SAE	ISO 8434-3	11/16" – 16 UN	FFH04-27/38S M	50	1.97	26	1.02	16.1	0.63	24	0.94	
6.3	1/4"	0/ SAE	ISO 11926-1	7/16"-20 UNF FEMALE ORB	FFH04 14SAE M	49	1.93	26	1.02	16.1	0.63	24	0.94	
6.3	1/4"	F JPT	UNI EN 10226-2	RC 1/4 FEMALE (JPT)	FFH04 14JPT M	49	1.93	26	1.02	16.1	0.63	24	0.94	
6.3	1/4"	07/ METRIC	ISO 8434-1-L	M14x1.5 MALE BULKHEAD SHORT 8L	FFH04-7/1415 M	63.5	2.5	26	1.02	16.1	0.63	24	0.94	
6.3	1/4"	06/ METRIC	ISO 8434-1-S	M16x1.5 MALE BULKHEAD 8S	FFH04-6/1615 M	75.5	2.97	26	1.02	16.1	0.63	24	0.94	
6.3	1/4"	05/ METRIC	ISO 8434-1-L	M16x1.5 MALE BULKHEAD 10L	FFH04-5/1615 M	74.5	2.93	26	1.02	16.1	0.63	24	0.94	
6.3	1/4"	03/ METRIC	ISO 8434-1-S	M16x1.5 MALE 8S	FFH04-3/1615 M	51.5	2.03	26	1.02	16.1	0.63	24	0.94	
6.3	1/4"	28/ SAE	ISO 8434-2	3/4"-16 UNF FEMALE JIC	FFH04-28/12S M	50	1.97	26	1.02	16.1	0.63	24	0.94	
6.3	1/4"	14/ SAE	ISO 8434-2	9/16"-18 UNF MALE BULKHEAD JIC	FFH04-14/38S M	72	2.83	26	1.02	16.1	0.63	24	0.94	
6.3	1/4"	13/ SAE	ISO 8434-2	9/16"-18 UNF MALE JIC	FFH04-13/38S M	53.6	2.11	26	1.02	16.1	0.63	24	0.94	
6.3	1/4"	12/ SAE	ISO 8434-3	11/16"-16 UN MALE BULKHEAD ORFS	FFH04-12/38S M	73.5	2.89	26	1.02	16.1	0.63	24	0.94	
6.3	1/4"	01/ BSPP	ISO 1179-3	1/4" BSPP MALE	FFH04-1/14G M	52	2.05	26	1.02	16.1	0.63	24	0.94	
6.3	1/4"	0/ SAE	ISO 11926-1	9/16"-18 UNF FEMALE ORB	FFH04 38SAE M	52	2.05	26	1.02	16.1	0.63	24	0.94	
6.3	1/4"	F NPTF	ANSI B1.20.3	NPTF 1/4" FEMALE	FFH04 14NPT M	49	1.93	26	1.02	16.1	0.63	24	0.94	
6.3	1/4"	F BSPP	ISO 1179-1	BSPP 1/4" FEMALE	FFH04 14GAS M	49	1.93	26	1.02	16.1	0.63	24	0.94	
10	3/8"	07/ METRIC	ISO 8434-1-L	M22x1.5 MALE BULKHEAD SHORT 15L	FFH06-7/2215 MT	89.3	3.52	33	1.3	19.7	0.78	30	1.18	
10	3/8"	07/ METRIC	ISO 8434-1-L	M18x1.5 MALE BULKHEAD SHORT 12L	FFH06-7/1815 MT	87.3	3.44	33	1.3	19.7	0.78	30	1.18	
10	3/8"	27/ SAE	ISO 8434-3	11/16" – 16 UN	FFH06-27/38S M	69.3	2.73	33	1.3	19.7	0.78	30	1.18	
10	3/8"	F NPTF	ANSI B1.20.3	NPTF 3/8" FEMALE	FFH06 38NPT MT	68.3	2.69	33	1.3	19.7	0.78	30	1.18	
10	3/8"	F JPT	UNI EN 10226-2	RC 3/8 FEMALE (JPT)	FFH06 38JPT M	68.3	2.69	33	1.3	19.7	0.78	30	1.18	
10	3/8"	F BSPP	ISO 1179-1	BSPP 3/8" FEMALE	FFH06 38GAS MB	68.3	2.69	33	1.3	19.7	0.78	30	1.18	
10	3/8"	F JPT	UNI EN 10226-2	RC 1/2 FEMALE (JPT)	FFH06 12JPT M	71.8	2.83	33	1.3	19.7	0.78	30	1.18	
10	3/8"	07/ METRIC	ISO 8434-1-L	M22x1.5 MALE BULKHEAD SHORT 15L	FFH06-7/2215 M	89.3	3.52	33	1.3	19.7	0.78	30	1.18	
10	3/8"	07/ METRIC	ISO 8434-1-L	M18x1.5 MALE BULKHEAD SHORT 12L	FFH06-7/1815 M	87.3	3.44	33	1.3	19.7	0.78	30	1.18	
10	3/8"	06/ METRIC	ISO 8434-1-S	M20x1.5 MALE BULKHEAD 12S	FFH06-6/2015 M	99.3	3.91	33	1.3	19.7	0.78	30	1.18	
10	3/8"	05/ METRIC	ISO 8434-1-L	M18x1.5 MALE BULKHEAD 12L	FFH06-5/1815 M	97.3	3.83	33	1.3	19.7	0.78	30	1.18	
10	3/8"	03/ METRIC	ISO 8434-1-S	M20x1.5 MALE 12S	FFH06-3/2015 M	73.3	2.89	33	1.3	19.7	0.78	30	1.18	
10	3/8"	01/ BSPP	ISO 1179-3	1/2" BSPP MALE	FFH06-21/12G M	75.3	2.96	33	1.3	19.7	0.78	30	1.18	
10	3/8"	02/ METRIC	ISO 8434-1-L	M22x1.5 MALE 15L	FFH06-2/2215 M	73.3	2.89	33	1.3	19.7	0.78	30	1.18	
10	3/8"	02/ METRIC	ISO 8434-1-L	M18x1.5 MALE 12L	FFH06-2/1815 M	72.3	2.85	33	1.3	19.7	0.78	30	1.18	
10	3/8"	02/ METRIC	ISO 8434-1-L	M16x1.5 MALE 10L	FFH06-2/1615 M	72.3	2.85	33	1.3	19.7	0.78	30	1.18	
10	3/8"	14/ SAE	ISO 8434-2	3/4"-16 UN MALE BULKHEAD JIC	FFH06-14/12S M	97.9	3.85	33	1.3	19.7	0.78	30	1.18	
10	3/8"	12/ SAE	ISO 8434-3	13/16"-16 UN MALE BULKHEAD ORFS	FFH06-12/12S M	98	3.86	33	1.3	19.7	0.78	30	1.18	
10	3/8"	11/ SAE	ISO 8434-3	11/16"-16 UN MALE ORFS	FFH06-11/38S M	72.3	2.85	33	1.3	19.7	0.78	30	1.18	
10	3/8"	11/ SAE	ISO 8434-3	13/16"-16 UN MALE ORFS	FFH06-11/12S M	74	2.91	33	1.3	19.7	0.78	30	1.18	
10	3/8"	01/ SAE	ISO 11926-3	3/4"-16 UNF MALE	FFH06-1/12S M	72.4	2.85	33	1.3	19.7	0.78	30	1.18	
10	3/8"	01/ BSPP	ISO 1179-3	1/2" BSPP MALE	FFH06-1/12G M	75.8	2.98	33	1.3	19.7	0.78	30	1.18	
10	3/8"	F BSPP	ISO 1179-1	BSPP 3/8" FEMALE	FFH06 38GAS MV	68.3	2.69	33	1.3	19.7	0.78	30	1.18	
10	3/8"	0/ SAE	ISO 11926-1	3/4"-16 UNF FEMALE ORB	FFH06 12SAE M	71.8	2.83	33	1.3	19.7	0.78	30	1.18	
10	3/8"	F NPTF	ANSI B1.20.3	NPTF 1/2" FEMALE	FFH06 12NPT M	71.8	2.83	33	1.3	19.7	0.78	30	1.18	
10	3/8"	F NPTF	ANSI B1.20.3	NPTF 3/8" FEMALE	FFH06 38NPT M	68.3	2.69	33	1.3	19.7	0.78	30	1.18	
10	3/8"	F BSPP	ISO 1179-1	BSPP 3/8" FEMALE	FFH06 38GAS M	68.3	2.69	33	1.3	19.7	0.78	30	1.18	
10	3/8"	F BSPP	ISO 1179-1	BSPP 1/2" FEMALE	FFH06 12GAS M	73.3	2.89	33	1.3	19.7	0.78	30	1.18	



**FFH**

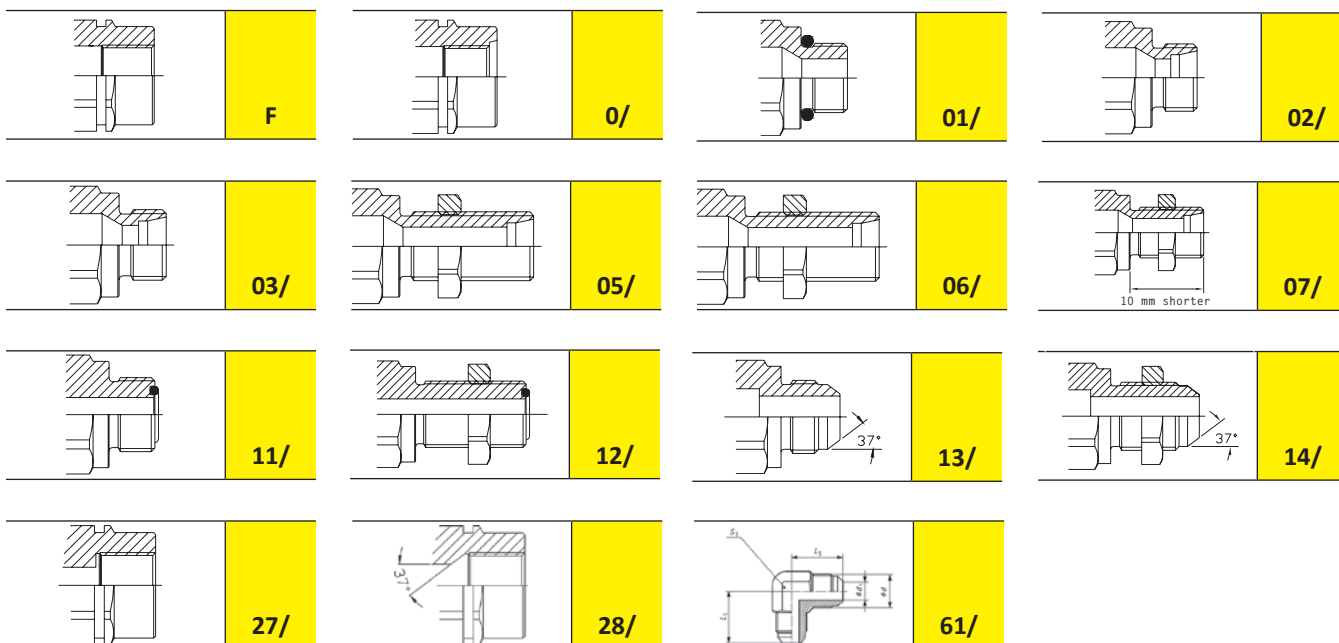
Size		Thread details			MALE									
mm	inch	Thread Type	Standard	Thread	Part Number	L (L1 + Thread)		D1		D3		HEX1		
						mm	inch	mm	inch	mm	inch	mm	inch	
12.5	1/2"	F NPTF	ANSI B1.20.3	NPTF 1/2" FEMALE	FFH08 12NPT MT	77	3.03	37	1.46	24.5	0.96	34	1.34	
12.5	1/2"	F JPT	UNI EN 10226-2	RC 1/2 FEMALE (JPT)	FFH08 12JPT M	77	3.03	37	1.46	24.5	0.96	34	1.34	
12.5	1/2"	07/ METRIC	ISO 8434-1-L	M22x1.5 MALE BULKHEAD SHORT 15L	FFH08-7/2215 M	91.5	3.6	37	1.46	24.5	0.96	34	1.34	
12.5	1/2"	61/ SAE	ISO 8434-2	9/16"-18 UN 90° MALE	FFH08-61/38S M	89	3.5	38	1.5	24.5	0.96	34	1.34	
12.5	1/2"	61/ SAE	ISO 8434-2	1-1/16"-12 UN 90° MALE	FFH08-61/34S M	89	3.5	38	1.5	24.5	0.96	34	1.34	
12.5	1/2"	05/ METRIC	ISO 8434-1-L	M18x1.5 MALE BULKHEAD 12L	FFH08-5/1815 M	99.5	3.92	37	1.46	24.5	0.96	34	1.34	
12.5	1/2"	02/ METRIC	ISO 8434-1-L	M22x1.5 MALE 15L	FFH08-2/2215 M	75.5	2.97	37	1.46	24.5	0.96	34	1.34	
12.5	1/2"	02/ METRIC	ISO 8434-1-L	M18x1.5 MALE 12L	FFH08-2/1815 M	74.5	2.93	37	1.46	24.5	0.96	34	1.34	
12.5	1/2"	14/ SAE	ISO 8434-2	7/8"-14 UNF MALE BULKHEAD JIC	FFH08-14/58S M	103.6	4.08	37	1.46	24.5	0.96	34	1.34	
12.5	1/2"	14/ SAE	ISO 8434-2	1-1/16"-12 UN MALE BULKHEAD JIC	FFH08-14/34S M	108.4	4.27	37	1.46	24.5	0.96	34	1.34	
12.5	1/2"	13/ SAE	ISO 8434-2	7/8"-14 UNF MALE JIC	FFH08-13/58S M	82.8	3.26	37	1.46	24.5	0.96	34	1.34	
12.5	1/2"	12/ SAE	ISO 8434-3	1"-14 UNS MALE BULKHEAD ORFS	FFH08-12/58S M	104	4.09	37	1.46	24.5	0.96	34	1.34	
12.5	1/2"	12/ SAE	ISO 8434-3	1-3/16"-12 UN MALE BULKHEAD ORFS	FFH08-12/34S M	105.5	4.15	37	1.46	24.5	0.96	34	1.34	
12.5	1/2"	12/ SAE	ISO 8434-3	13/16"-16 UN MALE BULKHEAD ORFS	FFH08-12/12S M	100	3.94	37	1.46	24.5	0.96	34	1.34	
12.5	1/2"	01/ METRIC	ISO 6149-2	M22x1.5 MALE	FFH08-1/2215 M	78.5	3.09	37	1.46	24.5	0.96	34	1.34	
12.5	1/2"	01/ SAE	ISO 11926-3	3/4"-16 UNF MALE	FFH08-1/12S M	74.6	2.94	37	1.46	24.5	0.96	34	1.34	
12.5	1/2"	01/ BSPP	ISO 1179-3	1/2" BSPP MALE	FFH08-1/12G M	78	3.07	37	1.46	24.5	0.96	34	1.34	
12.5	1/2"	0/ SAE	ISO 11926-1	7/8"-14 UNF FEMALE ORB	FFH08 58SAE M	76	2.99	37	1.46	24.5	0.96	34	1.34	
12.5	1/2"	F NPTF	ANSI B1.20.3	NPTF 3/4" FEMALE	FFH08 34NPT M	77	3.03	37	1.46	24.5	0.96	34	1.34	
12.5	1/2"	0/ SAE	ISO 11926-1	3/4"-16 UNF FEMALE ORB	FFH08 12SAE M	75	2.95	37	1.46	24.5	0.96	34	1.34	
12.5	1/2"	F BSPP	ISO 1179-1	BSPP 1/2" FEMALE	FFH08 12GAS MV	75	2.95	37	1.46	24.5	0.96	34	1.34	
12.5	1/2"	0/ SAE	ISO 11926-1	1-1/16"-12 UN FEMALE ORB	FFH08 34SAE M	81	3.19	37	1.46	24.5	0.96	34	1.34	
12.5	1/2"	F NPTF	ANSI B1.20.3	NPTF 1/2" FEMALE	FFH08 12NPT M	77	3.03	37	1.46	24.5	0.96	34	1.34	
12.5	1/2"	F BSPP	ISO 1179-1	BSPP 3/4" FEMALE	FFH08 34GAS M	78	3.07	37	1.46	24.5	0.96	34	1.34	
12.5	1/2"	F BSPP	ISO 1179-1	BSPP 1/2" FEMALE	FFH08 12GAS M	75	2.95	37	1.46	24.5	0.96	34	1.34	
16	5/8"	06/ METRIC	ISO 8434-1-S	M24x1.5 MALE BULKHEAD 16S	FFH10-6/2415 M	115.7	4.56	45	1.77	27	1.06	41	1.61	
16	5/8"	05/ METRIC	ISO 8434-1-L	M26x1.5 MALE BULKHEAD 18L	FFH10-5/2615 M	115.7	4.56	45	1.77	27	1.06	41	1.61	
16	5/8"	03/ METRIC	ISO 8434-1-S	M24x1.5 MALE 16S	FFH10-3/2415 M	89.7	3.53	45	1.77	27	1.06	41	1.61	
16	5/8"	02/ METRIC	ISO 8434-1-L	M26x1.5 MALE 18L	FFH10-2/2615 M	87.7	3.45	45	1.77	27	1.06	41	1.61	
16	5/8"	01/ SAE	ISO 11926-3	7/8"-14 UNF MALE	FFH10-1/58S M	88.4	3.48	45	1.77	27	1.06	41	1.61	
16	5/8"	01/ SAE	ISO 11926-3	1-1/16"-12 UN MALE	FFH10-1/34S M	90.8	3.57	45	1.77	27	1.06	41	1.61	
16	5/8"	F BSPP	ISO 1179-1	BSPP 5/8" FEMALE	FFH10 58GAS M	91.1	3.59	45	1.77	27	1.06	41	1.61	
16	5/8"	0/ SAE	ISO 11926-1	1-1/16"-12 UN FEMALE ORB	FFH10 34SAE M	94.1	3.7	45	1.77	27	1.06	41	1.61	
16	5/8"	F NPTF	ANSI B1.20.3	NPTF 3/4" FEMALE	FFH10 34NPT M	91.1	3.59	45	1.77	27	1.06	41	1.61	
16	5/8"	F BSPP	ISO 1179-1	BSPP 3/4" FEMALE	FFH10 34GAS M	91.1	3.59	45	1.77	27	1.06	41	1.61	
20	3/4"	F JPT	UNI EN 10226-2	RC 3/4 FEMALE (JPT)	FFH12 34JPT M	101.5	4	46	1.81	29.95	1.18	42	1.65	
20	3/4"	06/ METRIC	ISO 8434-1-S	M30x2 MALE BULKHEAD 20S	FFH12-6/3020 M	129.9	5.11	46	1.81	29.95	1.18	42	1.65	
20	3/4"	14/ SAE	ISO 8434-2	1-1/16"-12 UN MALE BULKHEAD JIC	FFH12-14/34S M	130.3	5.13	46	1.81	29.95	1.18	42	1.65	
20	3/4"	13/ SAE	ISO 8434-2	1-1/16"-12 UN MALE JIC	FFH12-13/34S M	107.8	4.24	46	1.81	29.95	1.18	42	1.65	
20	3/4"	12/ SAE	ISO 8434-3	1-3/16"-12 UN MALE BULKHEAD ORFS	FFH12-12/34S M	127.4	5.02	46	1.81	29.95	1.18	42	1.65	
20	3/4"	01/ SAE	ISO 11926-3	1-1/16"-12 UN MALE	FFH12-1/34S M	101	3.98	46	1.81	29.95	1.18	42	1.65	
20	3/4"	0/ SAE	ISO 11926-1	1-1/16"-12 UN FEMALE ORB	FFH12 34SAE M	101.6	4	46	1.81	29.95	1.18	42	1.65	
20	3/4"	F NPTF	ANSI B1.20.3	NPTF 3/4" FEMALE	FFH12 34NPT M	101.6	4	46	1.81	29.95	1.18	42	1.65	
20	3/4"	0/ SAE	ISO 11926-1	1-5/16"-12 UN FEMALE ORB	FFH12 1SAE M	101.6	4	46	1.81	29.95	1.18	42	1.65	
20	3/4"	F NPTF	ANSI B1.20.3	NPTF 1" FEMALE	FFH12 1NPT M	101.5	4	46	1.81	29.95	1.18	42	1.65	

# FFH

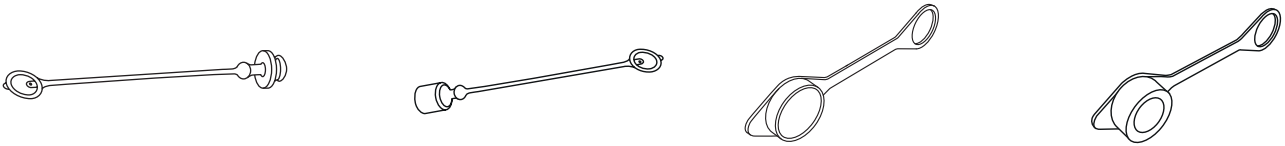


Size		Thread details			MALE									
mm	inch	Thread Type	Standard	Thread	Part Number	L (L1 + Thread)		D1		D3		HEX1		
						mm	inch	mm	inch	mm	inch	mm	inch	
20	3/4"	F BSPP	ISO 1179-1	BSPP 1" FEMALE	FFH12 1GAS M	101.6	4	46	1.81	29.95	1.18	42	1.65	
20	3/4"	F BSPP	ISO 1179-1	BSPP 3/4" FEMALE	FFH12 34GAS M	101.6	4	46	1.81	29.95	1.18	42	1.65	
25	1"	06/ METRIC	ISO 8434-1-5	M36x2 MALE BULKHEAD 25S	FFH16-6/3620 M	140	5.51	59	2.32	36	1.42	55	2.17	
25	1"	0/ SAE	ISO 11926-1	1-5/16"-12 UN FEMALE ORB	FFH16 1SAE M	106.5	4.19	59	2.32	36	1.42	55	2.17	
25	1"	F NPTF	ANSI B1.20.3	NPTF 1" FEMALE	FFH16 1NPT M	107.5	4.23	59	2.32	36	1.42	55	2.17	
25	1"	F NPTF	ANSI B1.20.3	NPTF 1-1/4" FEMALE	FFH16 114NPT M	106.5	4.19	59	2.32	36	1.42	55	2.17	
25	1"	F BSPP	ISO 1179-1	BSPP 1-1/4" FEMALE	FFH16 114GAS M	109	4.29	59	2.32	36	1.42	55	2.17	
25	1"	F BSPP	ISO 1179-1	BSPP 1-1/2" FEMALE	FFH16 112GAS M	110	4.33	59	2.32	36	1.42	55	2.17	
25	1"	F BSPP	ISO 1179-1	BSPP 1" FEMALE	FFH16 1GAS M	106.5	4.19	59	2.32	36	1.42	55	2.17	
31.5	1-1/4"	F BSPP	ISO 1179-1	BSPP 1-1/4" FEMALE	FFH20 114GAS M	109	4.29	59	2.32	44	1.73	55	2.17	

Part number ending in V have seals in FKM and consequently a Working Temperature of -20°C + 200 °C.



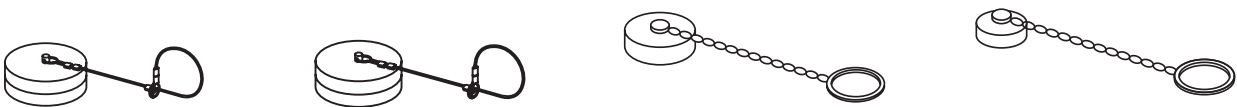
## FFH Accessories and Spares



### PVC dust protections



### Acetal Resin dust protections



### Aluminium dust protections



### Seals Kits