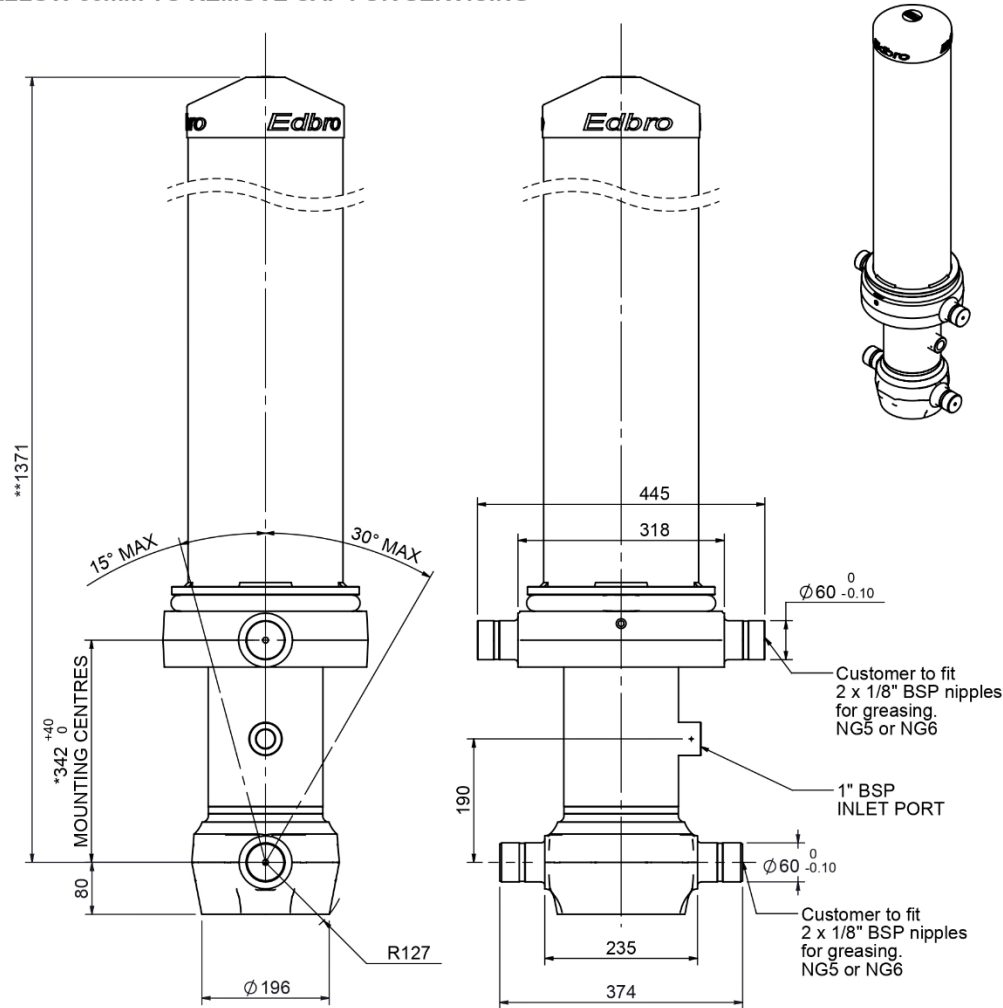


Cylinder 4 stage front end with outer cover

****ALLOW 50mm TO REMOVE CAP FOR SERVICING**

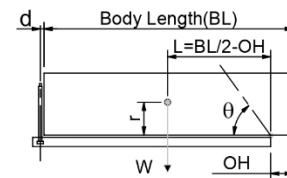


***Includes 11mm Pull Out.**

CS150044406N19A11

SPECIFICATION		TIPPING CAPACITY : 37-56 TONNES**		
Stage	Diameter	Length	Stroke	Swept Volume
-	-	-	-	-
OUTER COVER	239	990	-	-
0	177	1325	-	-
1	155	1290	1075	20
2	136	1290	1097	16
3	117	1290	1112	12
4	98	1290	1117	8
Total (+5/-10)			4401	56
Final stroke reduced by	0	Priming Volume		14
Cylinder Mass (Kg)	209	Total Volume (Litres)		70
Maximum Pressure (Bar)	190	Max. first stage thrust		230 KN

*****TIPPING CAPACITY AT WORKING PRESSURE**



BODY LENGTH (BL)						OH
5550	5800	6050				
40	46°	38	44°	37	42°	150
46	49°	44	47°	41	45°	450
56	52°	51	50°	48	47°	750

$d = 178$; $r = 750$; Working Pressure 165 bar

Tipping angle (θ)
Body + payload mass, W (tonne)

For guidance only;

Higher working pressures and tipping capacities may be possible.
To check your application email - applications@edbro.co.uk

NOTES

1. This cylinder is for lifting purposes only and side load conditions should be avoided
2. Cylinder is painted in primer paint to RAL5013
3. Refer to www.edbro.com for:
 - Bracket details
 - Installation instructions that must be observed
 - Correct oil selection
 - An explanation of tipping capacity