

50/64 T20

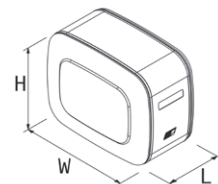
(sidewalls 500 mm h x 640 mm w)

Mounting kit available:



Materials available:

| | | |
|-----------|---------------|-----------------|
| A | F | I |
| Aluminium | Painted Steel | Stainless Steel |
| | RAL 7021 | |



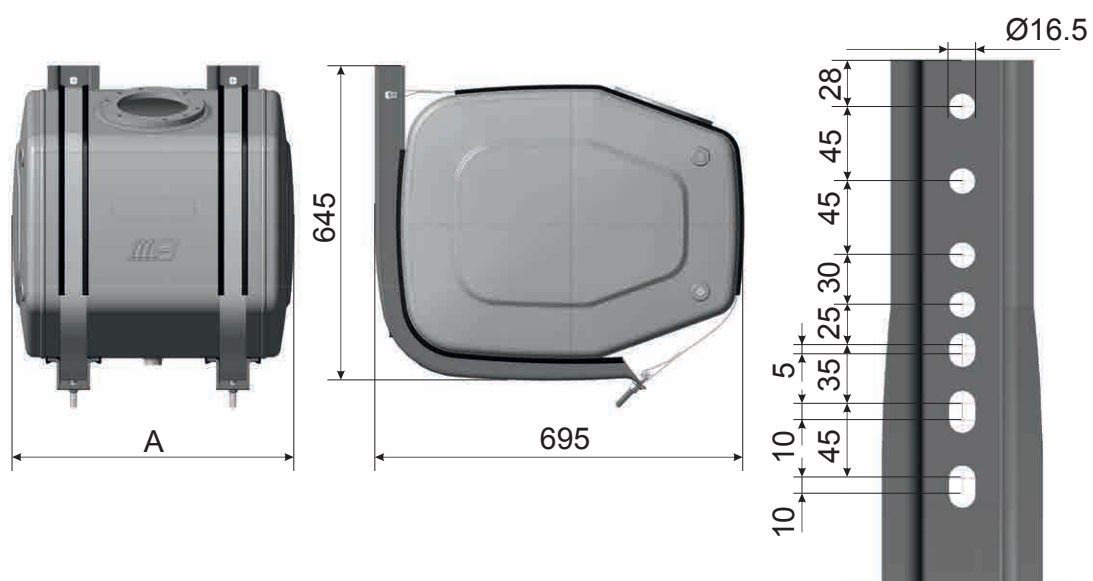
| Products range | LT* | Features included | Filter flange code | Dimensions (only tank) L x H x W | Material | Product code NSOA: Aluminium NSOF: Painted steel NSOI: Stainless steel | Mounting kit code SIDE | Mounting kit code REAR |
|----------------|-----|--|--------------------|-------------------------------------|-----------------|---|----------------------------------|----------------------------------|
| T20 | 75 | - air breather cap h 41mm - suction connection 1" 1/2 To define according to customers requirements: - level gauge - return connection | 135 | 300 x 500 x 640 | A/F | -0075030T200 | AKMIM-SOT25640N0 | |
| | 100 | - air breather cap h 41mm | 195 | 400 x 500 x 640 | A/F/I | -0100040T200 | AKMISLTT2564000 | |
| | 120 | - suction connection 2" | | 470 x 500 x 640 | A/F/I | -0120047T200 | | |
| | 140 | To define according to customers requirements: | | 530 x 500 x 640 | A/F/I | -0140053T200 | | |
| | 150 | | | 570 x 500 x 640 | A/F/I | -0150057T200 | | |
| | 200 | | | - level gauge | 750 x 500 x 640 | A/F/I | | -0200075T200 |
| | 250 | - return connection | | 930 x 500 x 640 | A/F/I | -0250093T200 | | |
| | 300 | - air breather cap h 41mm - suction connection 2" 1/2 | | 1100 x 500 x 640 | A/F/I | -0300110T200 | | |
| | 400 | To define according to customers requirements: - level gauge - return connection | | 1500 x 500 x 640 | A/F/I | -0400150T200 | | |

* Full tank capacity

50/64 T20 SIDE MOUNTING


Mounting specifics

| A (mm) | Level indicator capacity (l) |
|-----------|---------------------------------|
| 300 | 57-19 |
| 400 | 77-26 |
| 470 | 92-30 |
| 530 | 105-35 |
| 570 | 113-38 |
| 750 | 150-50 |
| 930 | 188-64 |
| 1100 | 224-76 |
| 1500 | 300-102 |




ACCESSORIES

Semi-immersed Return Filters


| | Filter Flange | l/min flow | Micron μm | Inlet Connection | Product Code | Spare Parts-Cartridge |
|---|---------------|------------|-----------------------------|------------------|-----------------|-----------------------|
|  | 135 | 250 l/min | 40 μm microfibre | 1"1/4 | AFO0SEM136125CF | AFO0ELF205070CF |
| | | 200 l/min | 21 μm microfibre | 1"1/4 | AFO0SEM136125F2 | AFO0ELF205070F2 |
| | | 150 l/min | 10 μm paper | 1"1/4 | AFO0SEM136125C1 | AFO0ELF205070C1 |
| | 195 | 300 l/min | 60 μm wire mesh | 1"1/4 | AFO0SEM195125CL | AFO0ELF210100RM |
| | | 250 l/min | 21 μm microfibre | 1"1/4 | AFO0SEM195125F2 | AFO0ELF211099F2 |
| | | 250 l/min | 10 μm paper | 1"1/4 | AFO0SEM19512510 | AFO0ELF211099C1 |
| | 195 | 300 l/min | 60 μm wire mesh | 1"1/4 + 3/4" | AFO0SEM195225CL | AFO0ELF210100RM |
| | | 250 l/min | 21 μm microfibre | 1"1/4 + 3/4" | AFO0SEM195225F2 | AFO0ELF211099F2 |
| | | 250 l/min | 10 μm paper | 1"1/4 + 3/4" | AFO0SEM19522510 | AFO0ELF211099C1 |

* Immersed Return Filters for Easy Kit

| | Filter Flange | l/min flow | Micron μm | Inlet Connection | Product Code | Spare Parts-Cartridge |
|---|---------------|------------|-----------------------------|------------------|-----------------|-----------------------|
|  | 135 | 250 l/min | 40 μm microfibre | / | AFO0IMM090340CF | AFO0ELF205070CF |
| | | 200 l/min | 21 μm microfibre | / | AFO0IMM090340F2 | AFO0ELF205070F2 |
| | | 150 l/min | 10 μm paper | / | AFO0IMM090340C1 | AFO0ELF205070C1 |

* Customized valve plates are available on request according to your tipping valve hole layout.

Immersed Easy Filters

| | Filter Flange | l/min flow | Micron μm | Inlet Connection | Product Code | Spare Parts-Cartridge |
|---|---------------|------------|-----------------------------|------------------|-----------------|-----------------------|
|  | 135 | 220 l/min | 40 μm microfibre | 1" | AFO0IMM134100CF | AFO0ELF205070CF |
| | | 180 l/min | 21 μm microfibre | 1" | AFO0IMM134100F2 | AFO0ELF205070F2 |
| | | 150 l/min | 10 μm paper | 1" | AFO0IMM134100C1 | AFO0ELF205070C1 |

ACCESSORIES

Filter's clogging visual indicator



| Products Range | Description | Specifics | Product Code | Spare Parts |
|----------------|------------------------------------|-------------------|-----------------|-------------|
| Oil tanks | Filter's clogging visual indicator | R 1/8" - EN 10226 | AI10MPF195VSR42 | / |

Aluminium cover with return connection and pipe for all tanks with filter flange 135



| Products Range | Description | Specifics | Product Code | Spare Parts |
|----------------|-----------------------|-------------------------------|-----------------|-------------|
| Oil tanks | Aluminium cover 160mm | 1" return connection and pipe | ACFA1604F010027 | / |

Air breather caps



| Products Range | Description | Specifics | Product Code | Spare Parts-Cartridge |
|----------------|---|-------------------------------------|-----------------|-----------------------|
| MF | Air breather cap with air filter, fixing screws and anti-splash | h 41 mm - air cartridge paper 10 µm | ATPOPLSCAR0L120 | AFA0CARCILTOP20 |

Level indicators



| Products Range | Description | Specifics | Product Code | Spare Parts |
|----------------|-------------------|--|-----------------|-------------|
| T20* | sight level gauge | not graduated - 254 mm distance between centers (M12) | AILOVISLIQ25400 | / |
| | | not graduated - 254 mm distance between centers (M12)- low level electric sensor, 2,5 mm wire connection | AILOVISLIQ254CE | / |
| | | graduated - 254 mm distance between centers (M12) - with thermometer | AILOVISLIQ254TR | / |

* not included in the standard tank

ACCESSORIES

Adjustable ball valves



| Products Range | Description | Specifics | Product Code | Spare Parts |
|----------------|-------------------------------------|-----------|-----------------|-------------|
| Oil tanks | adjustable ball valve MF with lever | 1"1/2 | ARU0ABV15000100 | / |
| | adjustable ball valve MF with lever | 2" | ARU0ABV20000100 | / |
| | adjustable ball valve MF with lever | 2"1/2 | ARU0ABV25000100 | / |

Pipe fittings



| Products Range | Description | Specifics | Product Code | Spare Parts |
|----------------|---|-----------|------------------|-------------|
| Oil tanks | straight pipe fitting, Ø51mm HOSE, inox band and sealing | 1"1/2 | ARA0PDNP-GM15000 | / |
| | straight pipe fitting, Ø65mm HOSE, inox band and sealing | 2" | ARA0PDNP-GM20000 | / |
| | straight pipe fitting, Ø64mm HOSE, steel painted | 2" 1/2 | ARA0RR0PGM25000 | / |
| | straight pipe fitting, Ø75mm HOSE, steel painted | 2" 1/2 | ARA0RR0PGM25010 | / |
| | 90° adjustable pipe fitting, Ø51mm HOSE connection, inox band and sealing | 1"1/2 | ARA0PDNP-GM15050 | / |
| | 90° adjustable pipe fitting, Ø65mm HOSE connection, inox band and sealing | 2" | ARA0PDNP-GM20050 | / |

Adjustable fittings



| Products Range | Description | Specifics | Product Code | Spare Parts |
|----------------|----------------------------|-----------|-----------------|-------------|
| Oil tanks | 90° adjustable fitting M/F | 1"1/2 | ARA0PDNFLT15050 | / |
| | 90° adjustable fitting M/F | 2"1/2 | ARA0PDNFLT25050 | / |