

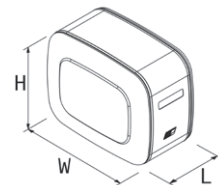
44/54

(sidewalls 440 mm h x 540 mm w)

Mounting kit available for:



Materials available:



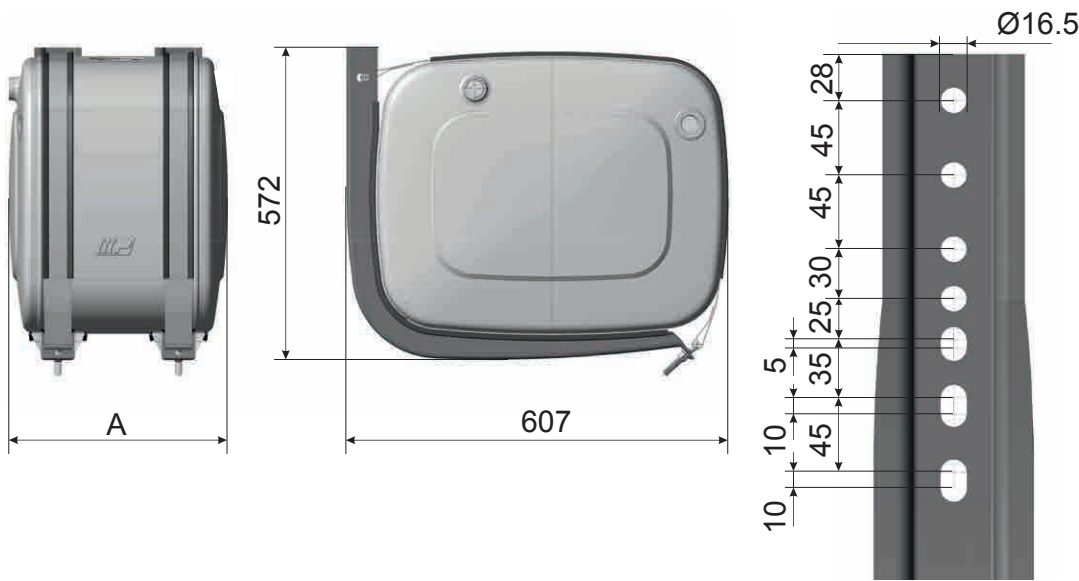
Products range	LT*	Features included	Filter flange code	Dimensions (only tank) L x H x W	Material	Product code NSOA: Aluminium NSOF: Painted steel	Mounting kit code SIDE	Mounting kit code REAR
Multi Function (MF)	60-70	- level gauge 127mm - suction connection 1"1/4 - return connection 1" - air breather cap h 41mm	135	350 x 440 x 540	A/F	-0070035MF00	AKMISLT44544000	AKMISRC04405404
	80	- spy eye 1" - suction connection 1"1/4 - return connection 1" - air breather cap h 41mm		400 x 440 x 540	A/F	-0080040MF00		
	90	- air breather cap h 41mm		450 x 440 x 540	A/F	-0090045MF00		

* Full tank capacity

44/54 SIDE MOUNTING

Mounting specifics

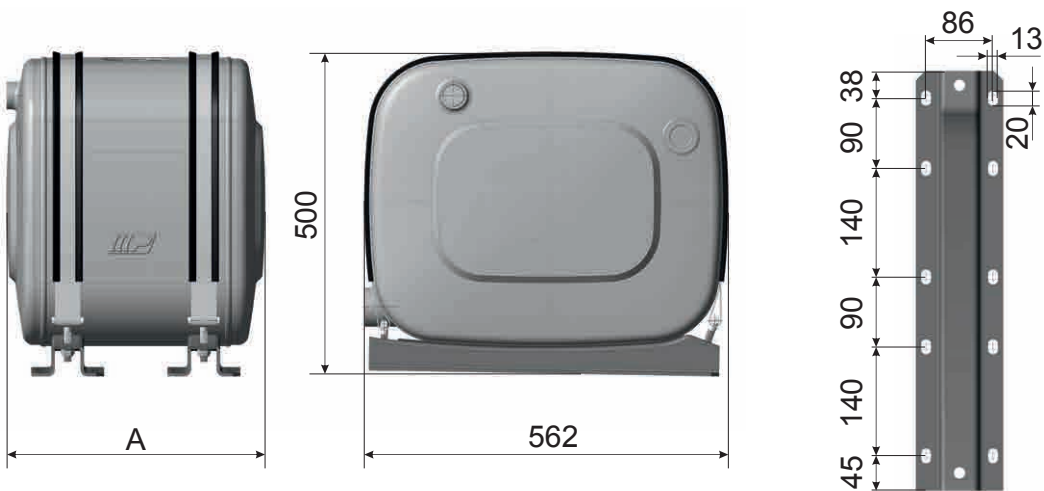
A	Level indicator capacity
(mm)	(l)
350	057-042
400	060
450	067



44/54 REAR MOUNTING

Mounting specifics

A	Level indicator capacity
(mm)	(l)
350	057-042
400	060
450	067



ACCESSORIES

Semi-immersed Return Filters



Filter Flange	l/min flow	Micron μm	Inlet Connection	Product Code	Spare Parts-Cartridge
135	250 l/min	40 μm microfibre	1"1/4	AFO0SEM136125CF	AFO0ELF205070CF
	200 l/min	21 μm microfibre	1"1/4	AFO0SEM136125F2	AFO0ELF205070F2
	150 l/min	10 μm paper	1"1/4	AFO0SEM136125C1	AFO0ELF205070C1

* Immersed Return Filters for Easy Kit



Filter Flange	l/min flow	Micron μm	Inlet Connection	Product Code	Spare Parts-Cartridge
135	250 l/min	40 μm microfibre	/	AFO0IMM090340CF	AFO0ELF205070CF
	200 l/min	21 μm microfibre	/	AFO0IMM090340F2	AFO0ELF205070F2
	150 l/min	10 μm paper	/	AFO0IMM090340C1	AFO0ELF205070C1

* Customized valve plates are available on request according to your tipping valve hole layout.

Immersed Easy Filters



Filter Flange	l/min flow	Micron μm	Inlet Connection	Product Code	Spare Parts-Cartridge
135	220 l/min	40 μm microfibre	1"	AFO0IMM134100CF	AFO0ELF205070CF
	180 l/min	21 μm microfibre	1"	AFO0IMM134100F2	AFO0ELF205070F2
	150 l/min	10 μm paper	1"	AFO0IMM134100C1	AFO0ELF205070C1

Filter's clogging visual indicator



Products Range	Description	Specifics	Product Code	Spare Parts
Oil tanks	Filter's clogging visual indicator	R 1/8" - EN 10226	AII0MPF195VSR42	/

ACCESSORIES

Aluminium cover with return connection and pipe

for all tanks with filter flange 135



Products Range	Description	Specifics	Product Code	Spare Parts
Oil tanks	Aluminium cover 160mm	1" return connection and pipe	ACFA1604F010027	/

Air breather caps



Products Range	Description	Specifics	Product Code	Spare Parts-Cartridge
MF	Air breather cap with air filter, fixing screws and anti-splash	h 41 mm - air cartridge paper 10 µm	ATPOPLSCAR0LI20	AFA0CARCILT0P20

Level indicators



Products Range	Description	Specifics	Product Code	Spare Parts
MF	round aluminium level gauge	1"	AIL0ROTLIQ100AL	/



MF (44/54 60-70lt)	sight level gauge	not graduated - 127 mm distance between centers (M12)	AIL0VISLIQ12701	/
--------------------	-------------------	--	-----------------	---

* not included in the standard tank

ACCESSORIES

Adjustable ball valves



Products Range	Description	Specifics	Product Code	Spare Parts
Oil tanks	adjustable ball valve MF with lever	1"1/4	ARU0ABV12500100	/

Pipe fittings



Products Range	Description	Specifics	Product Code	Spare Parts
Oil tanks	straight pipe fitting, Ø40mm HOSE, inox band and sealing	1"1/4	ARA0PDNPGM12500	/
	90° adjustable pipe fitting, Ø40mm HOSE connection, inox band and sealing	1"1/4	ARA0PDNPGM12550	/

Adjustable fittings



Products Range	Description	Specifics	Product Code	Spare Parts
Oil tanks	90° adjustable fitting M/F	1"1/4	ARA0PDNFLT12550	/