

26/36

(sidewalls 260 mm h x 360 mm w)

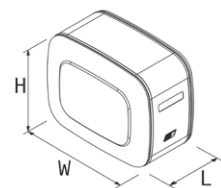
Mounting kit available:



Materials available:



Aluminium Painted Steel
RAL 7021



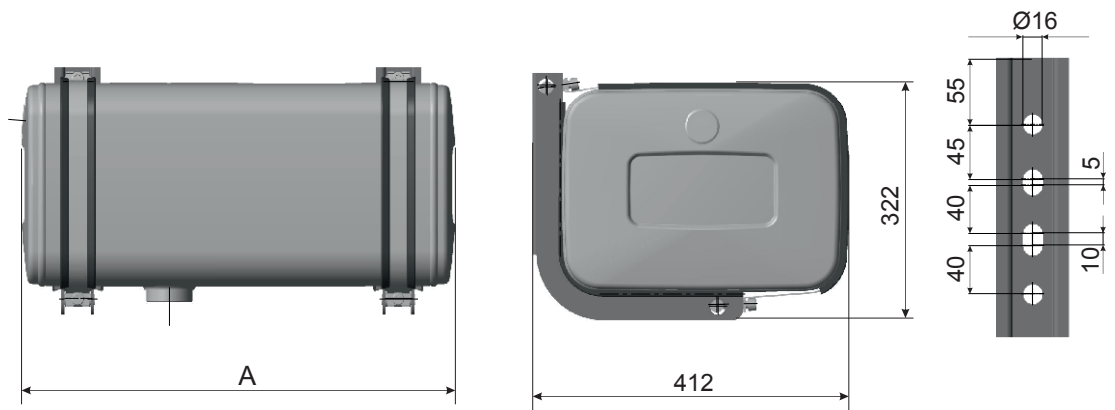
Products range	LT*	Features included	Filter Flange Code	Dimensions (only tank) L x H x W	Material	Product code NSOA: Aluminium NSOF: Painted steel	Mounting kit code	Mounting kit code
Multi Function (MF)	40	- spy eye 3/4" - suction connection 1 1/4" - air breather cap h 41mm	135	465 x 260 x 360	A	-0040046H000	AKMISLT263640N0	/
	50			565 x 260 x 360	A	-0050056H000		
Multi Function (MF)	30		135	365 x 260 x 360	F	-0030036H000	welded mounting kit included	/
	40			465 x 260 x 360	F	-0040046H000		
	50			565 x 260 x 360	F	-0050056H000		

* Full tank capacity

26/36 SIDE MOUNTING

Mounting specifics

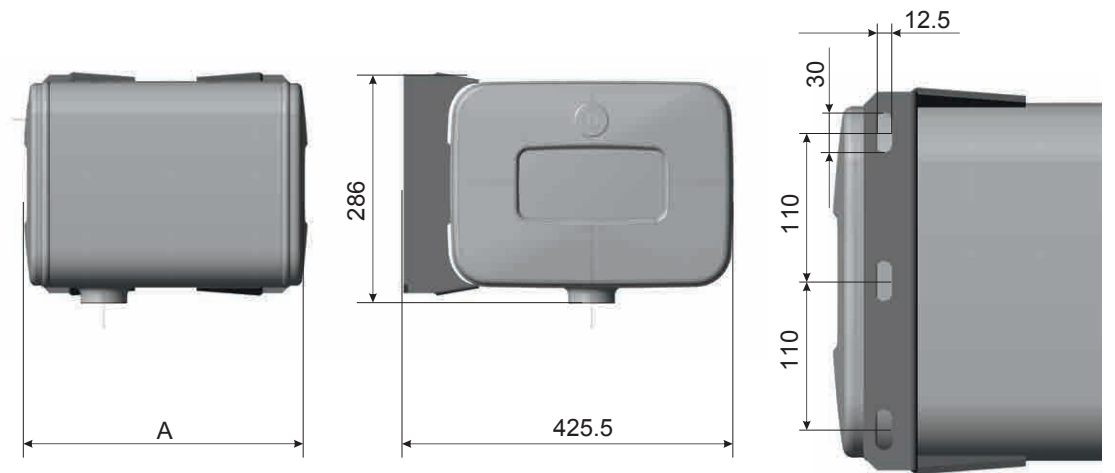
A	Level indicator capacity
(mm)	(l)
465	033
565	040



26/36 SIDE MOUNTING (WELDED)


Mounting specifics

A	Level indicator capacity
(mm)	(l)
365	025
465	033
565	040




ACCESSORIES

Semi-immersed Return Filters


	Filter Flange	l/min flow	Micron μm	Inlet Connection	Product Code	Spare Parts-Cartridge
	135	150 l/min	60 μm wire mesh	1"	AFO0SEM135100ST	AFO0ELF128070BF
	125 l/min	21 μm microfibre	1"	AFO0SEM135100F2	AFO0ELF13007025	

* Immersed Return Filters for Easy Kit


	Filter Flange	l/min flow	Micron μm	Inlet Connection	Product Code	Spare Parts-Cartridge
	135	150 l/min	60 μm wire mesh	1"	AFO0IMM090240RM	AFO0ELF142070RM
	125 l/min	21 μm microfibre	1"	AFO0IMM090240F2	AFO0ELF142070F2	

* Customized valve plates are available on request according to your tipping valve hole layout.

Immersed Easy Filters

	Filter Flange	l/min flow	Micron μm	Inlet Connection	Product Code	Spare Parts-Cartridge
	135	150 l/min	60 μm wire mesh	1"	AFO0IMM134101ST	AFO0ELF142070RM
	125 l/min	21 μm microfibre	1"	AFO0IMM134101F2	AFO0ELF142070F2	

Filter's clogging visual indicator

	Products Range	Description	Specifics	Product Code	Spare Parts
	Oil tanks	Filter's clogging visual indicator	R 1/8" - EN 10226	AIIOMPF195VSR42	/

Aluminium cover with return connection and pipe

	Products Range	Description	Specifics	Product Code	Spare Parts
	Oil tanks	Aluminium cover 160mm	1" return connection and pipe	ACFA1604F010027	/

ACCESSORIES

Air breather caps



Products Range	Description	Specifics	Product Code	Spare Parts-Cartridge
MF	Air breather cap with air filter, fixing screws and anti-splash	h 41 mm - air cartridge paper 10 µm	ATPOPLSCAR0LI20	AFA0CARCILT0P20

Level indicators



Products Range	Description	Specifics	Product Code	Spare Parts
26/36 / 36/26	round aluminium level gauge	3/4"	AIL0ROTLIQ075AL	/

Adjustable ball valves



Products Range	Description	Specifics	Product Code	Spare Parts
Oil Tanks	adjustable ball valve MF with lever	1"1/4	ARU0ABV12500100	

Pipe fittings



Products Range	Description	Specifics	Product Code	Spare Parts
Oil tanks	straight pipe fitting, Ø40mm HOSE, inox band and sealing	1"1/4	ARA0PDNPGM12500	/
	90° adjustable pipe fitting, Ø40mm HOSE connection, inox band and sealing	1"1/4	ARA0PDNPGM12550	/

Adjustable fittings



Products Range	Description	Specifics	Product Code	Spare Parts
Oil tanks	90° adjustable fitting M/F	1"1/4	ARA0PDNFLT12550	/