

70/70

(sidewalls 700 mm h x 700 mm w)



Mounting kit available:

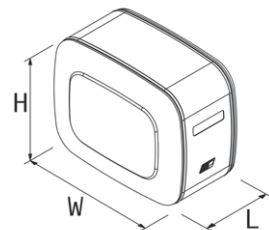
SIDE

Materials available:

A

F

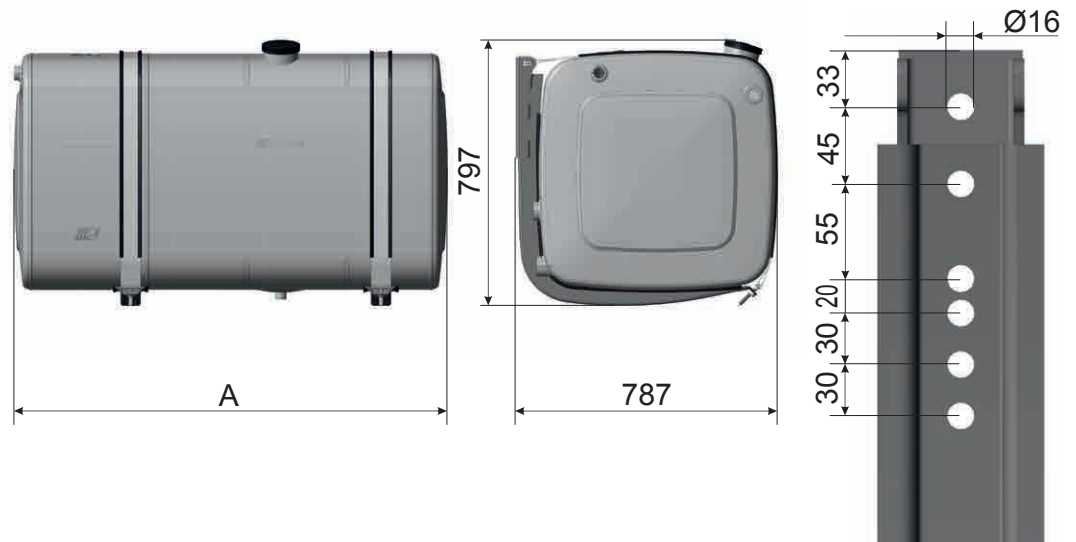
Aluminium Painted Steel
RAL 7021



| Products range | LT* diesel / oil | Features included | Filter flange code (oil) | Dimensions (only tank) L x H x W | Material | Product code NSMA: Aluminium NSMF: Painted steel | Mounting kit code SIDE |
|---------------------------------------|------------------|--|--------------------------|----------------------------------|----------|--|----------------------------------|
| 70/70 combined Multi Function (MF) | 150/150 | diesel - fuel cap with key and breathing valve - bayonet connection (for VDO level indicator) - diesel drainage - homologation ECE34 Part III (side installation) oil - spy eye 1" - suction connection 1" 1/2 - air breather cap h 41mm | 135 | 700 x 700 x 700 | A/F | - 0150070C100 | Included |
| | 200/150 | | | 800 x 700 x 700 | | - 0200080C100 | |
| | 200/200 | | | 900 x 700 x 700 | | - 0200090C100 | |
| | 220/170 | | | 900 x 700 x 700 | | - 0220090C100 | |
| | 280/170 | | | 1000 x 700 x 700 | | - 0280100C100 | |
| | 300/200 | | | 1100 x 700 x 700 | | - 0300110C100 | |
| | 340/200 | | | 1200 x 700 x 700 | | - 0340120C100 | |
| | 400/200 | | | 1300 x 700 x 700 | | - 0400130C100 | |
| | 480/200 | | | 1500 x 700 x 700 | | - 0480150C100 | |
| | 600/200 | | | 1800 x 700 x 700 | | - 0600180C100 | |
| 700/200 | 2000 x 700 x 700 | - 0700200C100 | | | | | |

* Full tank capacity

Mounting specifics



| A (mm) | Diesel full capacity (l) | Oil level indicator capacity (l) |
|-----------|-----------------------------------|--|
| 700 | 157 | 124 |
| 800 | 204 | 124 |
| 900 | 204 | 164 |
| 900 | 227 | 143 |
| 1000 | 280 | 143 |
| 1100 | 300 | 164 |
| 1200 | 343 | 164 |
| 1300 | 389 | 164 |
| 1500 | 482 | 164 |
| 1800 | 620 | 164 |
| 2000 | 701 | 164 |

ACCESSORIES

Semi-immersed Return Filters



| Filter Flange | l/min flow | Micron / μm | Inlet Connection | Product Code | Spare Parts-Cartridge |
|---------------|------------|-----------------------------|------------------|-----------------|-----------------------|
| 135 | 250 l/min | 40 μm microfibre | 1"1/4 | AFO0SEM136125CF | AFO0ELF205070CF |
| | 200 l/min | 21 μm microfibre | 1"1/4 | AFO0SEM136125F2 | AFO0ELF205070F2 |
| | 150 l/min | 10 μm paper | 1"1/4 | AFO0SEM136125C1 | AFO0ELF205070C1 |

* Immersed Return Filters for Easy Kit



| Filter Flange | l/min flow | Micron / μm | Inlet Connection | Product Code | Spare Parts-Cartridge |
|---------------|------------|-----------------------------|------------------|-----------------|-----------------------|
| 135 | 250 l/min | 40 μm microfibre | / | AFO0IMM090340CF | AFO0ELF205070CF |
| | 200 l/min | 21 μm microfibre | / | AFO0IMM090340F2 | AFO0ELF205070F2 |
| | 150 l/min | 10 μm paper | / | AFO0IMM090340C1 | AFO0ELF205070C1 |

* Customized valve plates are available on request according to your tipping valve hole layout.

Immersed Easy Filters



| Filter Flange | l/min flow | Micron / μm | Inlet Connection | Product Code | Spare Parts-Cartridge |
|---------------|------------|-----------------------------|------------------|-----------------|-----------------------|
| 135 | 220 l/min | 40 μm microfibre | 1" | AFO0IMM134100CF | AFO0ELF205070CF |
| | 180 l/min | 21 μm microfibre | 1" | AFO0IMM134100F2 | AFO0ELF205070F2 |
| | 150 l/min | 10 μm paper | 1" | AFO0IMM134100C1 | AFO0ELF205070C1 |

ACCESSORIES

Filter's clogging visual indicator



| Products Range | Description | Specifics | Product Code | Spare Parts |
|----------------|------------------------------------|-------------------|-----------------|-------------|
| Oil tanks | Filter's clogging visual indicator | R 1/8" - EN 10226 | AI10MPF195VSR42 | / |

Aluminium cover with return connection and pipe for all tanks with filter flange 135



| Products Range | Description | Specifics | Product Code | Spare Parts |
|----------------|-----------------------|-------------------------------|-----------------|-------------|
| Oil tanks | Aluminium cover 160mm | 1" return connection and pipe | ACFA1604F010027 | / |

Air breather caps



| Products Range | Description | Specifics | Product Code | Spare Parts-Cartridge |
|----------------|---|-------------------------------------|-----------------|-----------------------|
| MF | Air breather cap with air filter, fixing screws and anti-splash | h 41 mm - air cartridge paper 10 µm | ATP0PLSCAR0LI20 | AFA0CARCILTOP20 |

ACCESSORIES

Level indicators



| Products Range | Description | Specifics | Product Code | Spare Parts |
|----------------|-----------------------------|-----------|-----------------|-------------|
| MF | round aluminium level gauge | 1" | AILOROTLIQ100AL | / |

Adjustable ball valves



| Products Range | Description | Specifics | Product Code | Spare Parts |
|----------------|-------------------------------------|-----------|-----------------|-------------|
| Oil Tanks | adjustable ball valve MF with lever | 1"1/2 | ARU0ABV15000100 | / |

Pipe fittings



| Products Range | Description | Specifics | Product Code | Spare Parts |
|----------------|---|-----------|-----------------|-------------|
| Oil Tanks | straight pipe fitting, Ø51mm HOSE, inox band and sealing | 1"1/2 | ARA0PDNPGM15000 | / |
| | 90° adjustable pipe fitting, Ø51mm HOSE connection, inox band and sealing | 1"1/2 | ARA0PDNPGM15050 | / |

Adjustable fittings




| Products Range | Description | Specifics | Product Code | Spare Parts |
|----------------|----------------------------|-----------|-----------------|-------------|
| Oil Tanks | 90° adjustable fitting M/F | 1"1/2 | ARA0PDNFLT15050 | / |

ACCESSORIES


Diesel level indicators (for Padoan tanks)

| Products Range | Description | Specifics | Product Code | Spare Parts |
|------------------|--------------------------------------|---|-----------------|-------------|
| Diesel oil tanks | Diesel level indicator 690 mm lenght | Suction and return 10mm, bayonet connection, 4PIN socket connector with switch low level connection | AIC0GENVD069030 | / |




Analogic cabin diesel oil indicator (to be installed with the generic level oil indicator and Padoan tanks)

| Products Range | Description | Specifics | Product Code | Spare Parts |
|------------------|--|----------------------------------|-----------------|-------------|
| Diesel oil tanks | Cabin fuel level indicator (to be installed with Padoan tank and diesel level indicator) | Round screen with reserve signal | AILOGENPDN00000 | / |



Diesel connection kits

| Products Range | Description | Specifics | Product Code | Spare Parts |
|------------------|--|--|-----------------|-------------|
| Diesel oil tanks | Connection kit for diesel tank Pipe lenght 1.500 mm | no. 2 3/4" elbows, no. 2 3/4" valves, no. 2 rubber holders with lenght 12 mm, no. 1 pipe with 12 mm diameter and 1.500 mm lenght | AKA0ABBGAS07500 | / |
| Diesel oil tanks | Connection kit for diesel tank Pipe lenght 3.000 mm | no. 2 3/4" elbows, no. 2 3/4" valves, no. 2 rubber holders with lenght 12 mm, no. 1 pipe with 12 mm diameter and 3.000 mm lenght | AKA0ABBGAS07501 | / |



ACCESSORIES

Fuel caps included



| Products Range | Description | Specifics | Product Code | Spare Parts |
|------------------|---|-------------------------------------|-----------------|-------------|
| Diesel oil tanks | Fuel Cap, diameter 80 mm, with bayonet connection | with key and safety valve - plastic | ATP0CARCARB80CE | / |

optional not included



| | | | | |
|------------------|--|-------------------------------------|-----------------|---|
| Diesel oil tanks | Fuel Cap, diameter 80mm, with bayonet connection | with key and safety valve - plastic | ATP0CARCARB80CV | / |
|------------------|--|-------------------------------------|-----------------|---|

VDO Cap



| Products Range | Description | Specifics | Product Code | Spare Parts |
|------------------|-----------------------------|--------------------------------|-----------------|-------------|
| Diesel oil tanks | Cap with bayonet connection | equipped with cover and rubber | ATP0COPATTVDOPC | / |