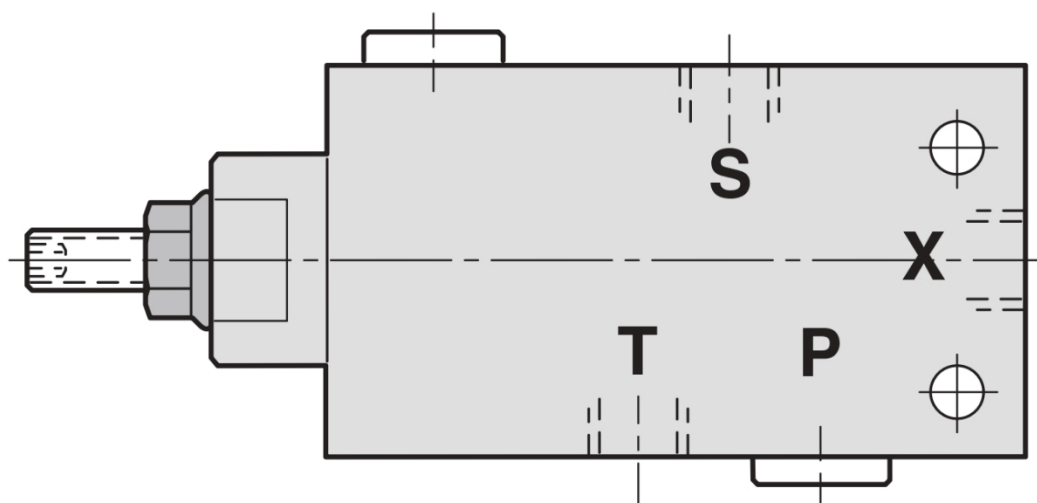


Bulletin MSG30-8226-INST/UK

# Installation and Startup Manual BPV Unloading Valve VP1

Effective: March, 2023

Supersedes: November, 2021



## BPV-VP1 unloading valve

The BPV-VP1 unloading valve is utilized in hydraulic systems where the pump is operating constantly.

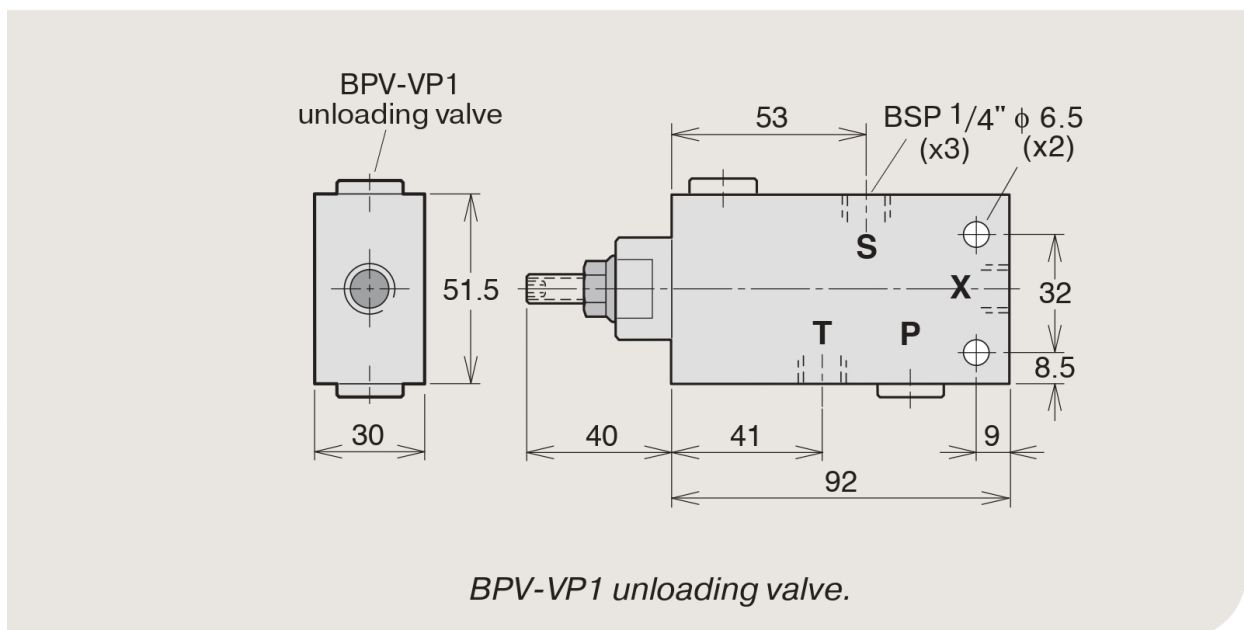
The valve protects the pump from being overheated in the off-load mode by allowing a small flow through the pump (refer to the schematics). When a load sensing valve function is engaged, the bypass flow is cut off (as port 'X' is being pressurized).

The valve is also working as a ventilating valve. If there is some air in the pump housing after a long standstill of the hydraulic system.

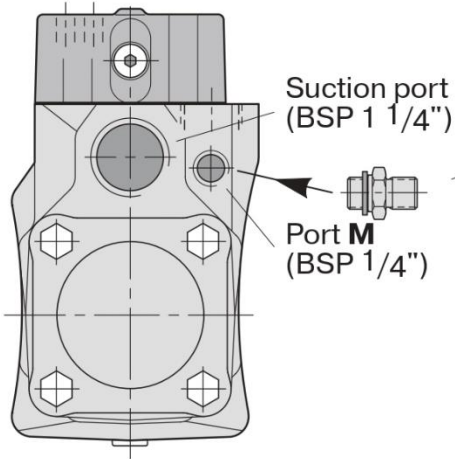
(The pump is assembled above the oil-tank and during the standstill some oil in the pump housing has been drained back to the oil tank)

Valve type	Ordering number
BPV-VP1	379 8799

**NOTE:** - BPV-VP1 with VP1-045, -060 or -075, see page 3 and 4.  
 - BPV-VP1 with VP1-095, -110 or -130, see page 5 and 6.



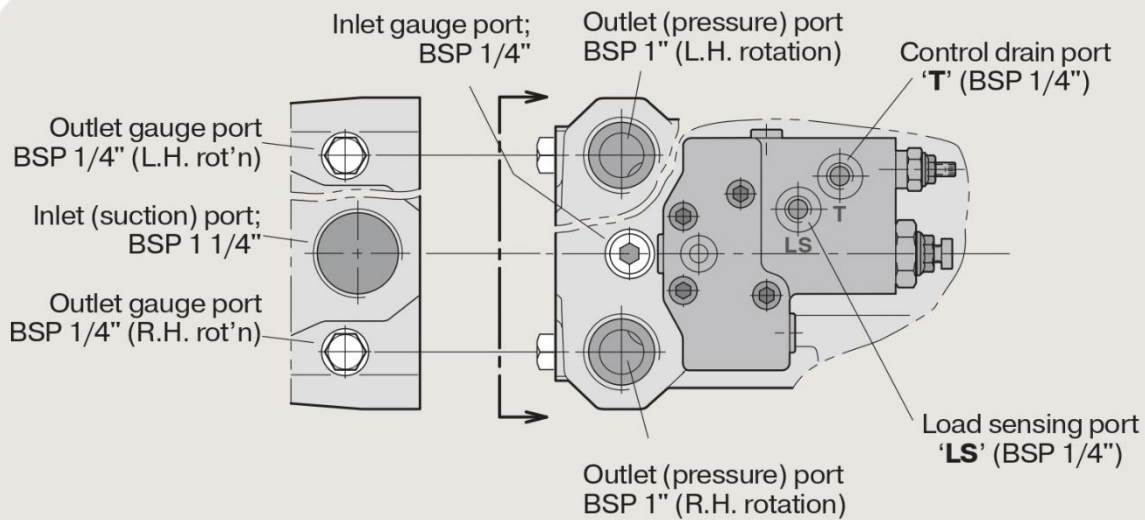
## BVP-VP1 with VP1-045/-060/-075 pumps



### NOTE:

- Install the fitting (included) in port M and connect it, in turn, to port S of the unloading valve (see schematic).
- An orifice is included in the fitting. Connection on the fitting is 1/4" BSP threads. Size of orifice in the fitting is  $\varnothing$  1.5 mm.

VP1-045/-060/-075 end view (showing ports R.H. rotation).



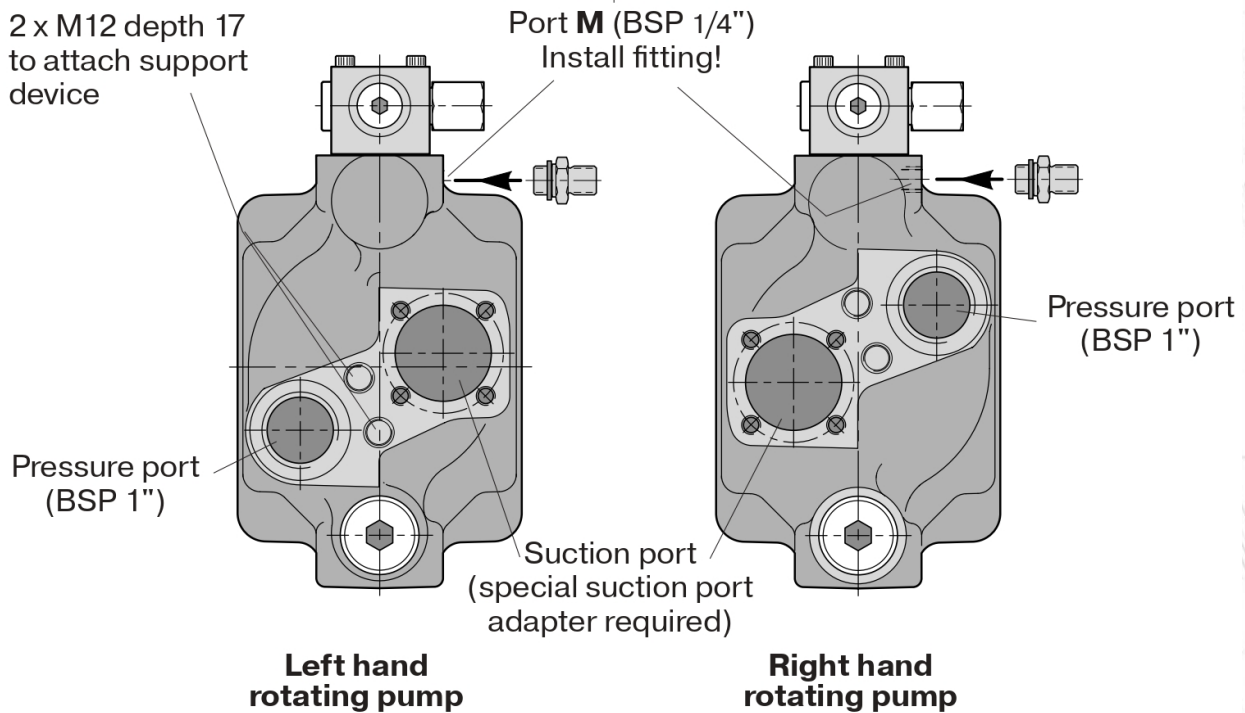
VP1-045/-060/-075 end and top view



## BPV-VP1 with VP1-095/-110/-130 pumps

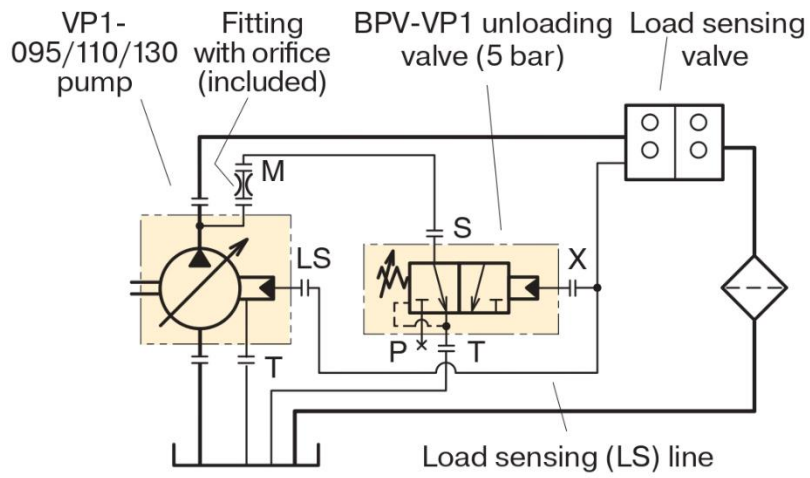
### NOTE:

- Install the fitting (included) in port M and connect it, in turn, to port S of the unloading valve (see schematic).
- An orifice is included in the fitting. Connection on the fitting is 1/4" BSP threads. Size of orifice in the fitting is  $\varnothing$  1.5 mm.

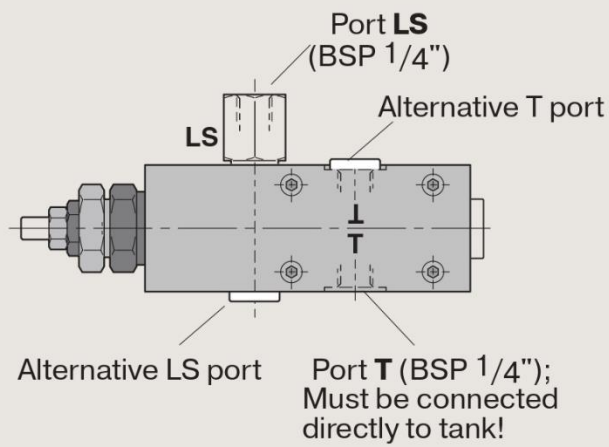


*VP1-095/-110/-130 main ports (with fitting installation).*

# MI BPV UNLOADING VALVE VP1



*BPV-VP1 installation schematic with VP1-095/-110/-130 pump.*



*VP1-095/-110/-130 control valve ports.*

## **Position notification regarding Machinery Directive 2006/42/EC:**

Products made by the Pump & Motor Division Europe (PMDE) of Parker Hannifin are excluded from the scope of the machinery directive following the “Cetop” Position Paper on the implementation of the Machinery Directive 2006/42/EC in the Fluid Power Industry.

All PMDE products are designed and manufactured considering the basic as well as the proven safety principles according to:

- ISO 13849-1:2015
- SS-EN ISO 4413:2010

so that the machines in which the products are incorporated meet the essential health and safety requirements.

Confirmations for components to be proven component, e. g. for validation of hydraulic systems, can only be provided after an analysis of the specific application, as the fact to be a proven component mainly depends on the specific application.

### **Christian Jäger**

General Manger

Pump & Motor Division Europe



## **WARNING – USER RESPONSIBILITY**

FAILURE OR IMPROPER SELECTION OR IMPROPER USE OF THE PRODUCTS DESCRIBED HEREIN OR RELATED ITEMS CAN CAUSE DEATH, PERSONAL INJURY AND PROPERTY DAMAGE.

This document and other information from Parker-Hannifin Corporation, its subsidiaries and authorized distributors provide product or system options for further investigation by users having technical expertise.

The user, through its own analysis and testing, is solely responsible for making the final selection of the system and components and assuring that all performance, endurance, maintenance, safety and warning requirements of the application are met. The user must analyze all aspects of the application, follow applicable industry standards, and follow the information concerning the product in the current product catalogue and in any other materials provided from Parker or its subsidiaries or authorized distributors.

To the extent that Parker or its subsidiaries or authorized distributors provide component or system options based upon data or specifications provided by the user, the user is responsible for determining that such data and specifications are suitable and sufficient for all applications and reasonably foreseeable uses of the components or systems.

## **Offer of Sale**

Please contact your Parker representation for a detailed "Offer of Sale".