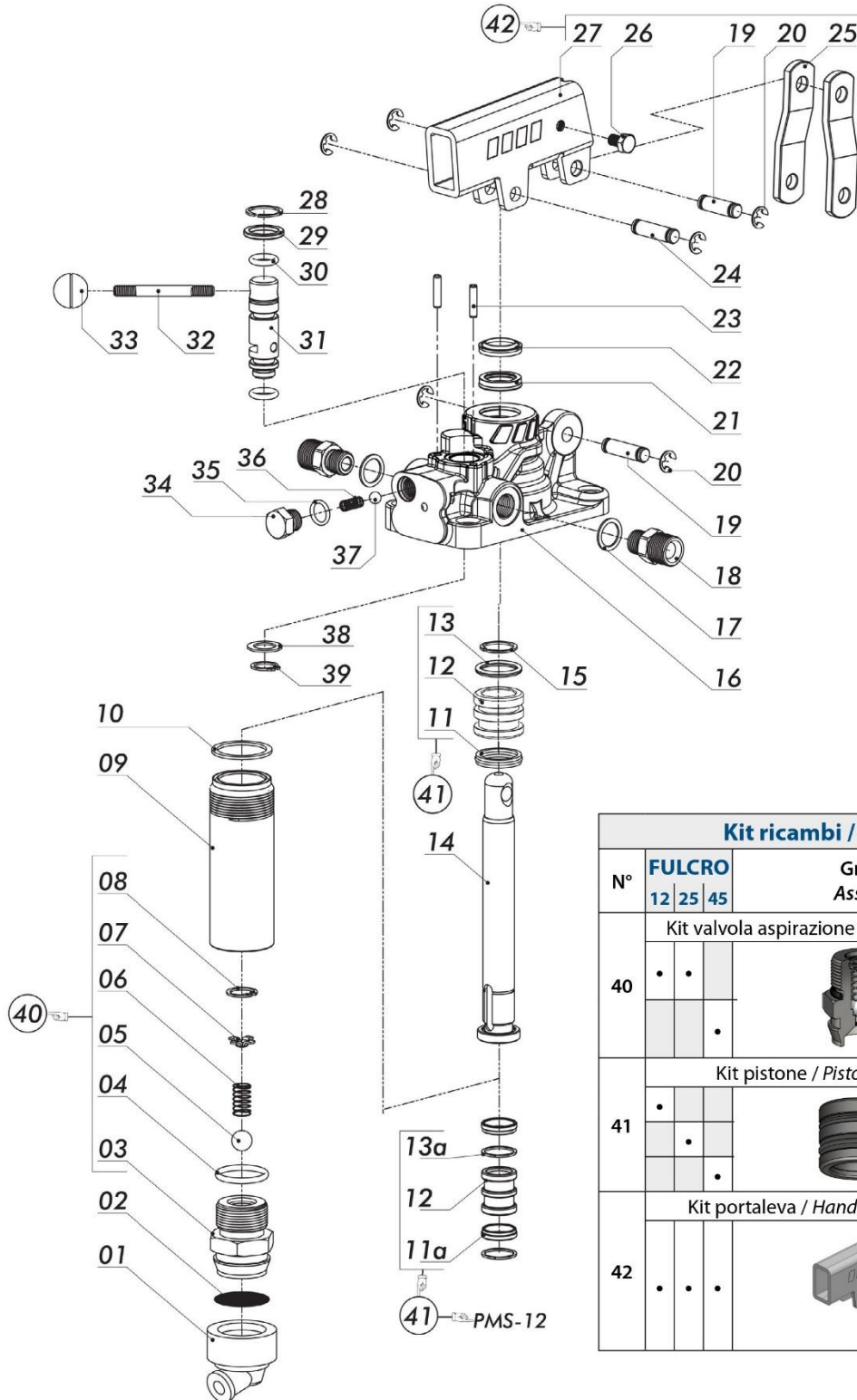


EXPLODED VIEW PMI 12-25-45



Schema ricambio / Spare parts



Kit ricambi / Kit's				
N°	FULCRO			Gruppo Assembly
	12	25	45	
40	Kit valvola aspirazione / Suction valve kit			
	•	•		
41	Kit pistone / Piston assembly			
	•			
42	Kit portaleva / Hand lever holder kit			
	•	•	•	