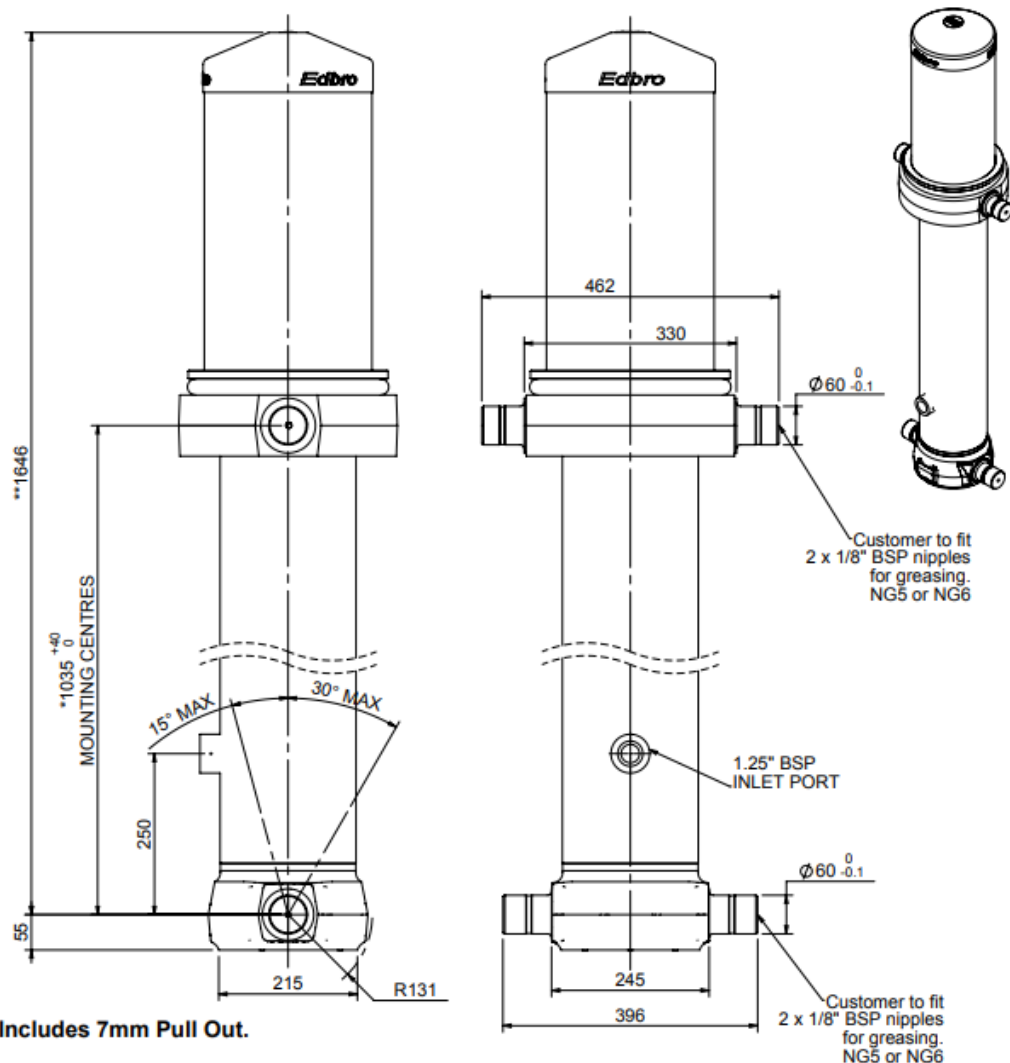


### Cylinder 5 stage front end with outer cover

\*\* ALLOW 50mm TO REMOVE CAP FOR SERVICING



### CS18L056733B25A15

SPECIFICATION		TIPPING CAPACITY : 34-47 TONNES**		
Stage	Diameter	Length	Stroke	Swept Volume
OUTER COVER	261	575	-	-
0	211	1575	-	-
1	188	1540	1320	37
2	167	1540	1337	29
3	147	1540	1347	23
4	127	1540	1362	17
5	105	1540	1367	12
Total (+5/-10)			6733	118
Final stroke reduced by	0	Priming Volume		21.9
Cylinder Mass (Kg)	314	Total Volume (Litres)		139.9
Maximum Pressure (Bar)	190	Max. first stage thrust		200 KN

\*\*\*TIPPING CAPACITY AT WORKING PRESSURE

d	BODY LENGTH (BL)						OH
	8000		8500		9000		
38	50°	35	47°	34	44°	150	
42	52°	39	49°	36	46°	450	
47	54°	43	51°	39	47°	750	

d = 229; r = 900; Working Pressure 135 bar

For guidance only;  
Higher working pressures and tipping capacities may be possible.  
To check your application email - [applications@edbro.co.uk](mailto:applications@edbro.co.uk)

- NOTES
- This cylinder is for lifting purposes only and side load conditions should be avoided
  - Cylinder is painted in primer paint to RAL5013
  - Refer to [www.edbro.com](http://www.edbro.com) for;
    - Bracket details
    - Installation instructions that must be observed
    - Correct oil selection
    - An explanation of tipping capacity